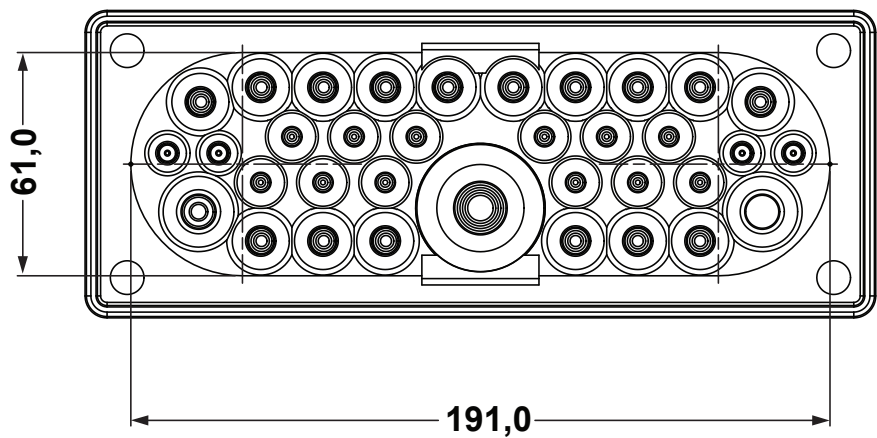
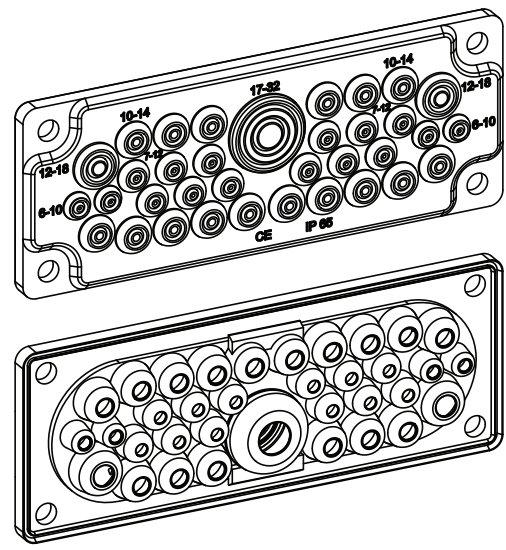
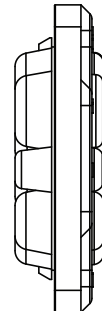
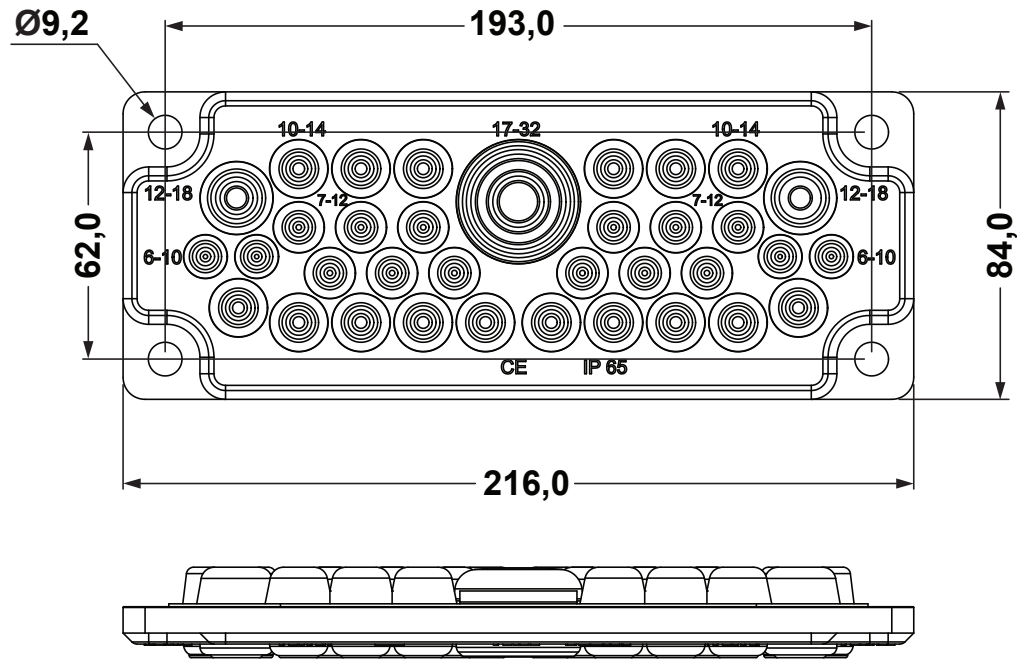


REVISIONS			
REV	DESCRIPTION	DATE	BY



NOTES:

Working temperature: -40°C/+130°C

Measurements C-hole:

- 216mm x 84mm
- Fastening hole: 10 mm
- Fastening holes distance: 193 mm / 62 mm

Lead-throught:

- 1x17mm-32mm
- 2x12mm-18mm
- 16x10mm-14mm
- 12x7mm-12mm
- max 35 cables

Halogen-free / oil splatter resistant / in and outdoor

DESCRIPTION		TITLE: MODULAR GLAND PLATES IP 65 – PRECONFIGURATE		DWG UNIT: MM	
MATERIAL: TPE – SEBS 50 Sha		Modelled in RHINO 4.0		FILE: 09/04/20	
COLOUR: GREY RAL 7035		TOLLERANCES UNLESS NOTED		DwN: DT:20.04.09.12106.E.0	
		SHEET: 1 OF 1		ChkD: Part Number: 12106PF117035	
		SCALE: NTS			
		2768-mK			
REV.		DATE			

