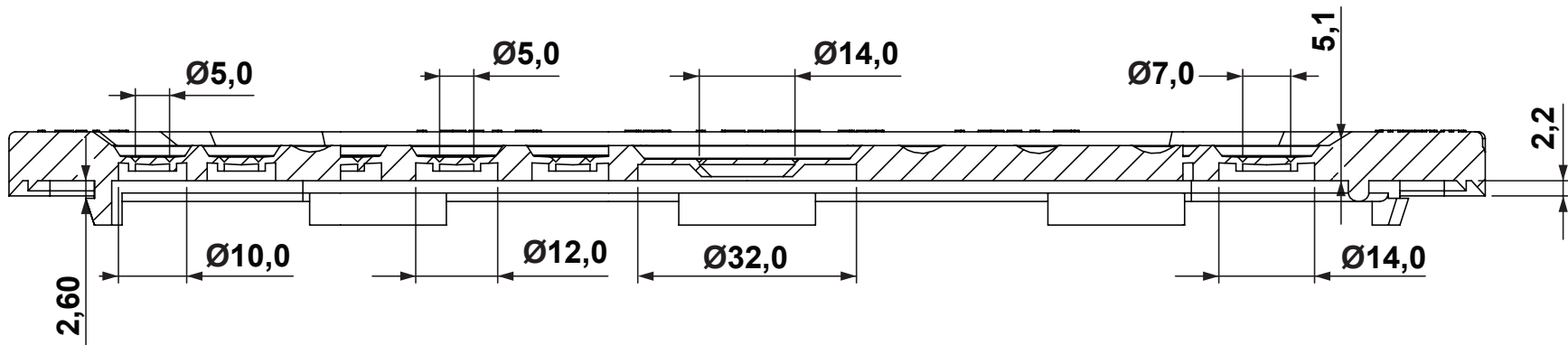
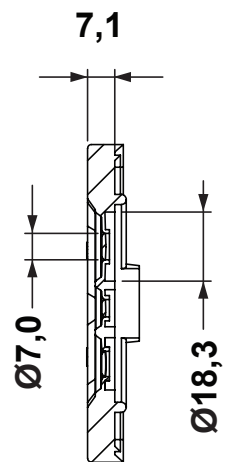


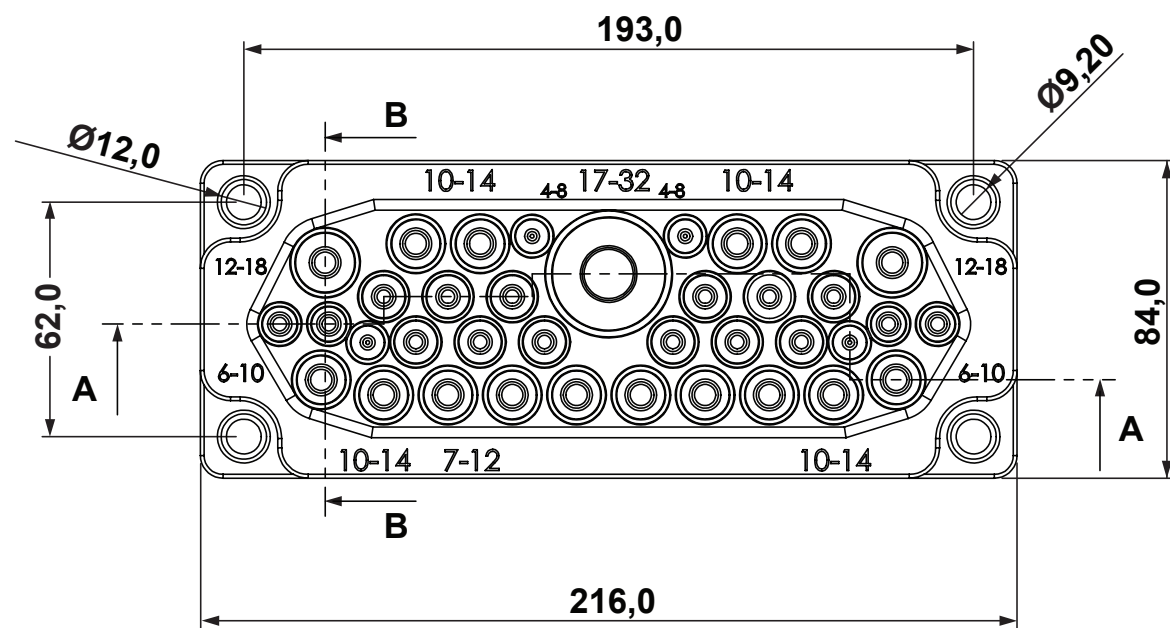
REVISIONS			
REV	DESCRIPTION	DATE	BY



**SECTION A-A SCALE 1:1**



**SECTION B-B**



**NOTES:**  
**Working temperature:** -40°C/+130°C  
**Measurements C-hole:**  
 216mm x 84mm  
 Fastening hole: 10 mm  
 Fastening holes distance: 193 mm / 62 mm  
**Lead-through:**  
 4x4mm-8mm  
 4x6mm-10mm  
 12x7mm-12mm  
 14x10mm-14mm  
 2x12mm-18mm  
 1x17mm-32mm  
 max 36 cables  
**Halogen-free / oil splatter resistant / in and outdoor**

DESCRIPTION		TITLE: MODULAR GLAND PLATES IP 65 – PRECONFIGURATE		DWG UNIT: MM	
MATERIAL: TPE – SEBS 50 Sha		Modelled in RHINO 4.0		FILE: 09/04/20	
COLOUR: GREY RAL 7035		TOLLERANCES UNLESS NOTED		DwN: DT:20.04.09.12104.E.0	
		SHEET: 1 OF 1		ChkD: Part Number: 12104PF117035	
		SCALE: NTS			
		2768-mK			
REV.		DATE			

