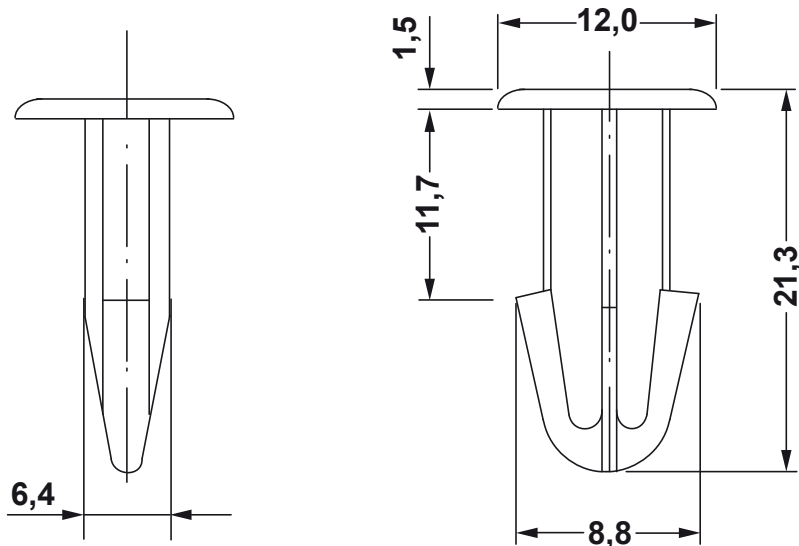


DIM.	TOL
5mm DOWN	±0.2
5~20mm	±0.3
20~40mm	±0.4
40~60mm	±0.5
60~100mm	±0.8
100mm UP	±1.0

REVISIONS			
REV	DESCRIPTION	DATE	BY



HOLE DIAMETER: Ø 6,5  
THICKNESS: 11,0



<b>TITLE</b> FASTENER PIN		<b>MATERIAL</b> PA 6.6 UL 94V2		<b>DATE</b> 24.02.2017	
		<b>FINISH</b>		<b>DRAWN</b>	
<b>PART NUMBER</b> 1096AA01		<b>DRAWING NUMBER</b> 17.02.24.1096.0.E		<b>COLOR</b> BLACK	
<b>SIZE</b> A4		<b>SCALE</b> 4:1		<b>UNIT</b> mm.	
<b>REV</b> C		<b>UNLESS OTHERWISE SPECIFIED TOLERANCE</b> SEE ABOVE		<b>CHECK</b>	
<b>APPROVED</b>		<b>APPROVED</b>		<b>APPROVED</b>	