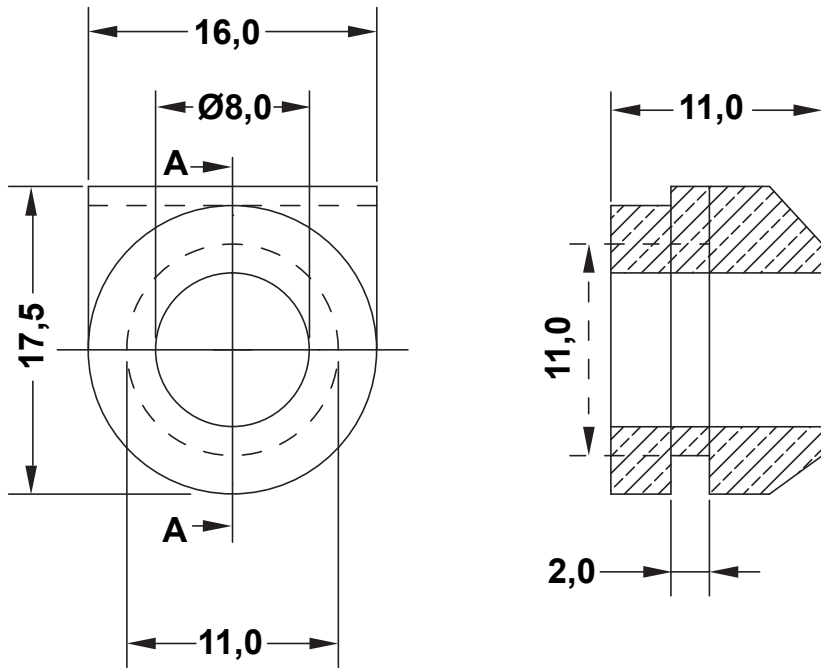



| REVISIONS |             |      |    |
|-----------|-------------|------|----|
| REV       | DESCRIPTION | DATE | BY |
|           |             |      |    |
|           |             |      |    |



|   |              |             |          |                                      |  |
|---|--------------|-------------|----------|--------------------------------------|--|
|  |              |             |          | TITLE<br><b>SPECIAL GROMMETS</b>     |  |
|   |              |             |          | MATERIAL<br>PVC 50 SH                |  |
| PART NUMBER<br>10946CA01  |              |             |          | DRAWING NUMBER<br>20.09.17.10946.0.E |  |
| COLOR<br>BLACK  |              |             |          | CHECK                                |  |
| SIZE<br>A4  | SCALE<br>NTS | UNIT<br>mm. | REV<br>A | UNLESS OTHERWISE SPECIFIED TOLERANCE |  |
|   |              |             |          | APPROVED                             |  |