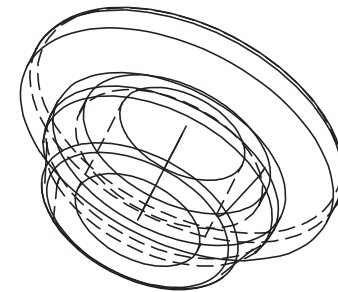
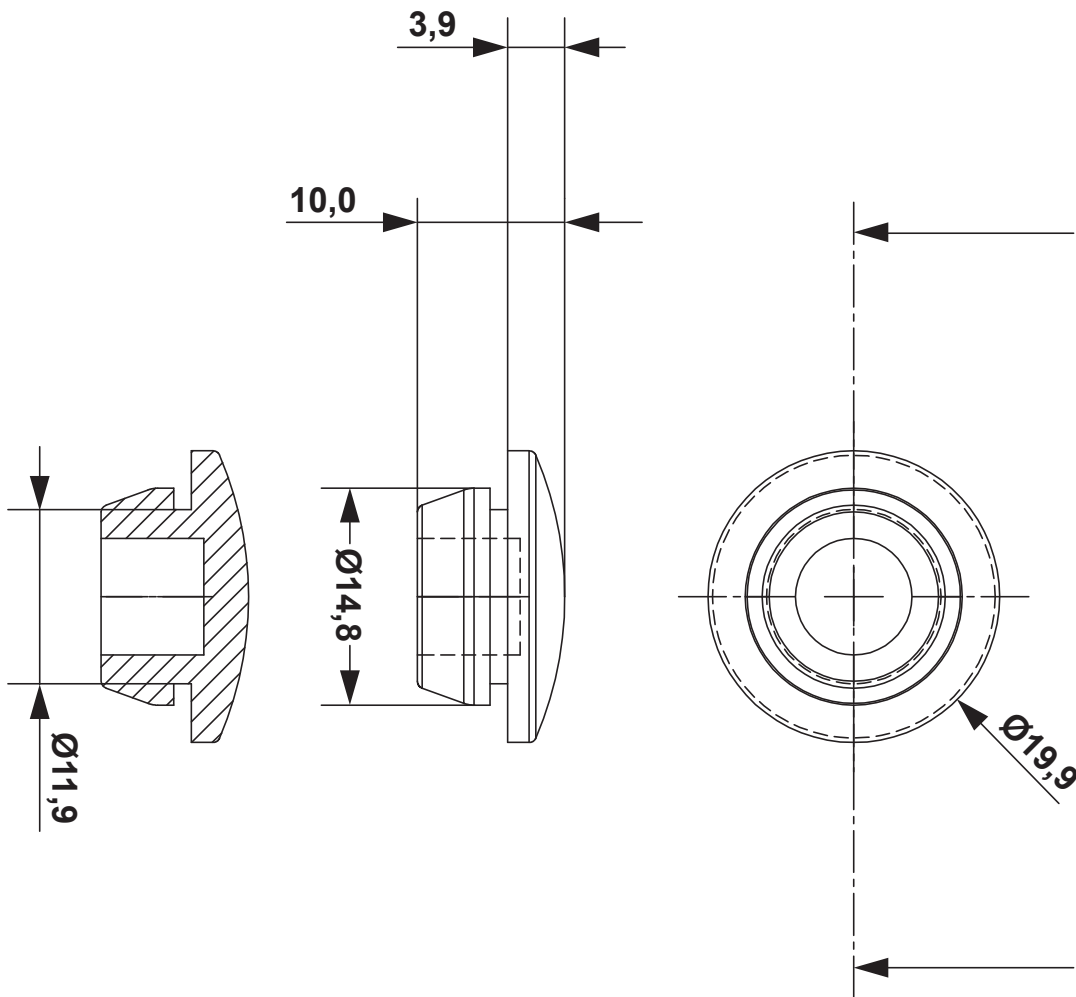


REVISIONS			
REV	DESCRIPTION	DATE	BY



	DESCRIPTION		TITLE: HOLE PLUGS	
	MATERIAL: CR CHLOROPRENE RUBBER		<i>Modelled in RHINO 4.0</i> FILE:	DwN: 13.12.2019 ChkD:
	FARBE: BLACK		TOLLERANCES UNLESS NOTED	DT:19.12.13.10923.0.E Part Number: 10923CR01
	WORKING TEMPERATURE: -45°C - +110°C		DIN ISO 3302-1	SCALE: NTS
REV.		DATE		