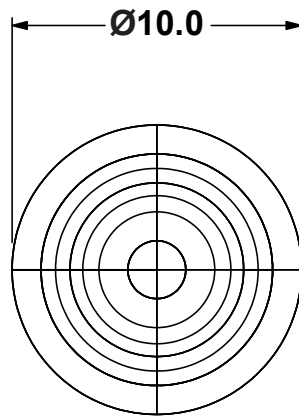
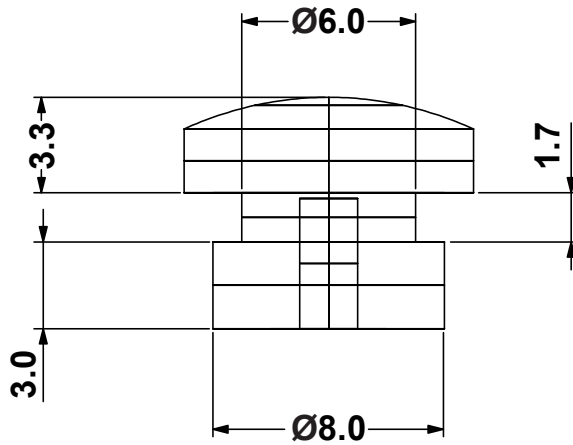
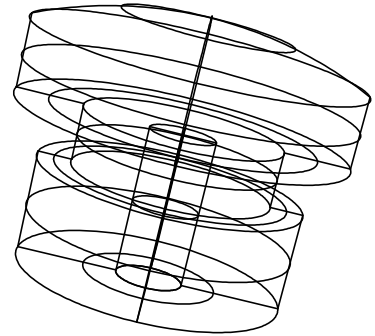


DIM.	TOL.
5mm DOWN	±0.2
5~20mm	±0.3
20~40mm	±0.4
40~60mm	±0.5
60~100mm	±0.8
100mm UP	±1.0

REVISIONS			
REV	DESCRIPTION	DATE	BY



TITLE
HOLE PLUGS

MATERIAL CR CHLOROPRENE RUBBER	DATE 03/10/2018
-----------------------------------	--------------------

COLOR BLACK	DRAWN R.F.
----------------	---------------

UNLESS OTHERWISE SPECIFIED TOLERANCE SEE ABOVE	CHECK
---	-------

APPROVED

PART NUMBER 10920CR01	DRAWING NUMBER 18.10.03.10920.0.E
--------------------------	--------------------------------------

SIZE A4	SCALE NTS	UNIT mm.	REV A
------------	--------------	-------------	----------