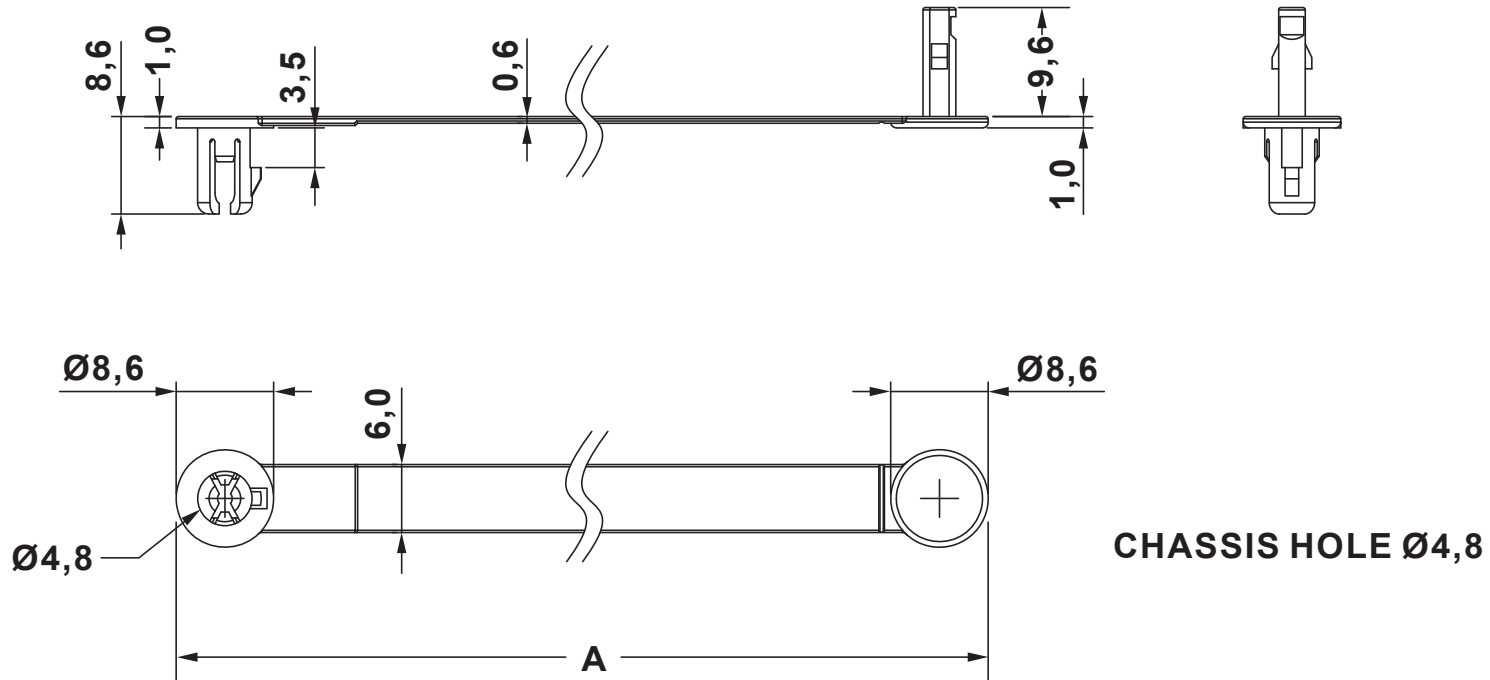


Dimensions	Tolerance
L ≤ 10	±0.2
10 < L ≤ 30	±0.3
30 < L ≤ 50	±0.5
50 < L ≤ 100	±0.7
100 < L ≤ 250	±1.2
ABOVE 250	±1.5

REVISIONS			
REV	DESCRIPTION	DATE	BY



P/N	A	THICKNESS
10718AA01	51,6	0,8 - 3,2
10719AA01	71,6	0,8 - 3,0
10720AA01	97,6	0,6 - 3,0

REV.	DESCRIPTION	DATE	TITLE: CABLE TIES RIVET FIXING	DWG UNIT: MM
	MATERIAL: PA 6 V2(UL94)		Modelled in RHINO 4.0	FILE: 09/01/18
	COLOUR: BLACK		TOLLERANCES UNLESS NOTED	SHEET: 1 OF 1
			SEE ABOVE	SCALE: NTS
				DT:18.01.09.107XX.0.EI Part Number: SEE TABLE
				fastpoint