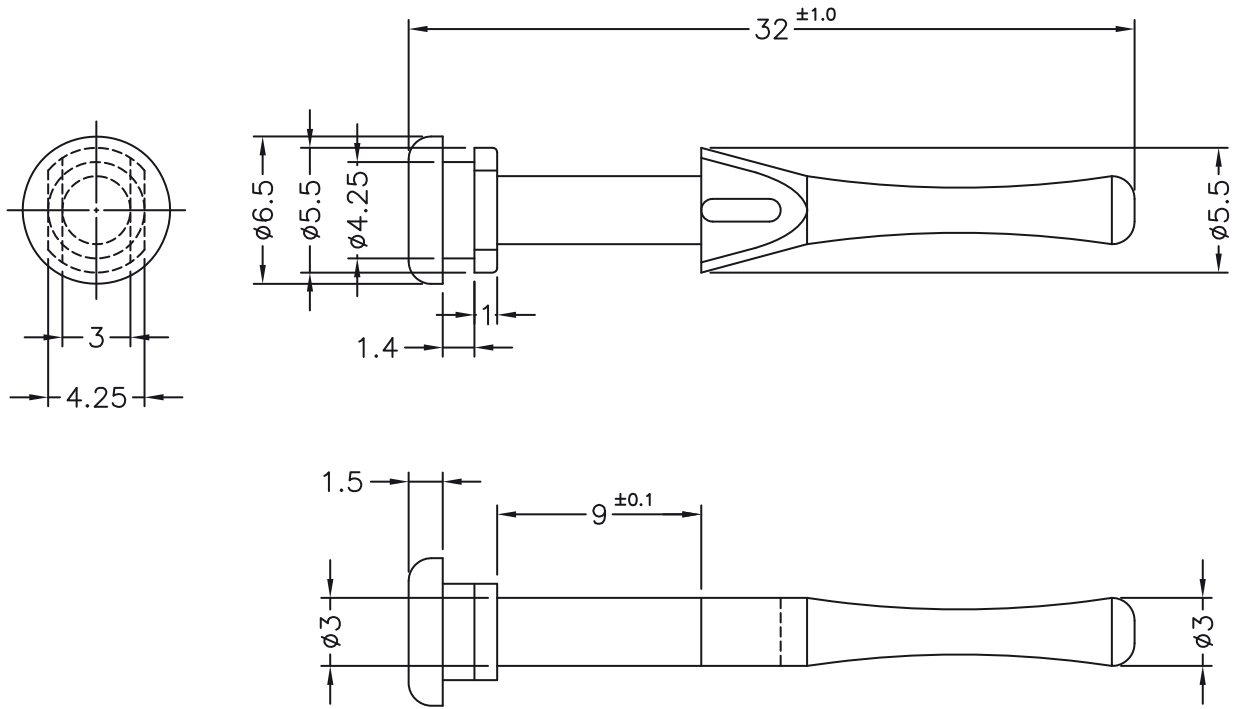



DIM.	TOL
5mm DOWN	±0.2
5~20mm	±0.3
20~40mm	±0.4
40~60mm	±0.5
60~100mm	±0.8
100mm UP	±1.0

REVISIONS			
REV	DESCRIPTION	DATE	BY



NOTE: All measurement does not include gate which raises under 1.2mm.

		TITLE	FAN SNAP RIVET
		MATERIAL	TPE
PART NUMBER 10569PF01		DATE	11/06/2014
		DRAWN	D.C.
DRAWING NUMBER 14.06.11.10569.0.E		COLOR	BLACK
		CHECK	
SIZE A4	SCALE 3:1	UNIT mm.	REV A
UNLESS OTHERWISE SPECIFIED TOLERANCE		SEE ABOVE	APPROVED