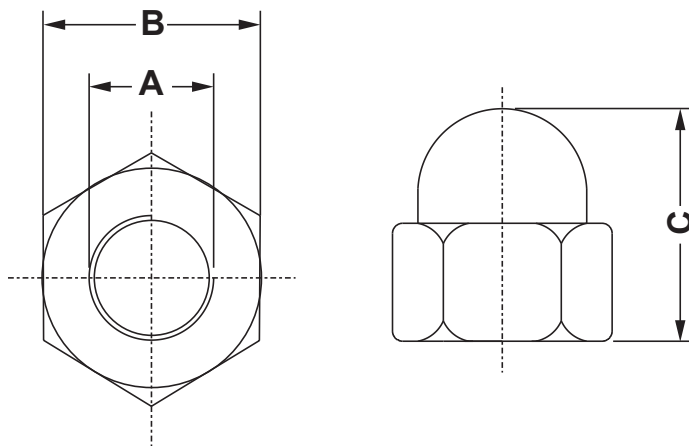



Dimensions	Tolerance
5mm DOWN	±0.2
5~20mm	±0.3
20~40mm	±0.4
40~60mm	±0.5
60~100mm	±0.8
100mm UP	±1.0

REVISIONS			
REV	DESCRIPTION	DATE	BY



P/N	A	B	C
10424AA00	M 3	6,0	6,0
10425AA00	M 4	7,0	8,0
10426AA00	M 5	8,0	10,0
10427AA00	M 6	10,0	12,0
10428AA00	M 8	13,0	15,0
10429AA00	M 10	17,0	18,0
10430AA00	M 12	18,0	22,0
10431AA00	M 16	24,0	30,0

		TITLE HEXAGONAL NUTS DIN 1587	
		MATERIAL PA6	DATE 06/07/2020
PART NUMBER SEE TABLE		DRAWING NUMBER 20.07.06.104XX.0.E	
DRAWING R.F.		COLOR NATURAL	CHECK
SIZE A4	SCALE NTS	UNIT mm.	REV A
UNLESS OTHERWISE SPECIFIED TOLERANCE SEE ABOVE		APPROVED	