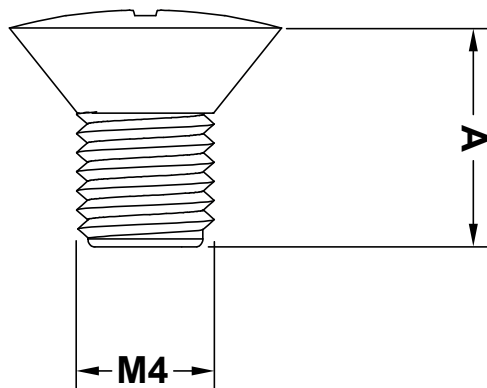
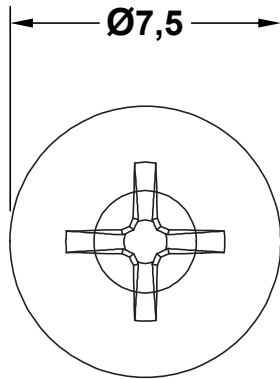
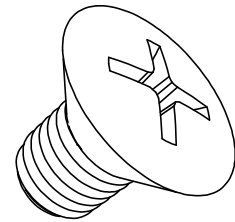


REVISIONS			
REV	DESCRIPTION	DATE	BY



P/N	A
10379AA0004.0	4,0
10379AA0006.0	6.0
10379AA0008.0	8.0
10379AA0010.0	10.0
10379AA0012.0	12.0
10379AA0014.0	14.0
10379AA0016.0	16.0
10379AA0018.0	18.0
10379AA0020.0	20.0
10379AA0022.0	22.0
10379AA0025.0	25.0
10379AA0027.0	27.0
10379AA0030.0	30.0

DIN EN ISO 966



TITLE
CROSS RECESSED COUNTERSUNK HEAD SCREWS

MATERIAL PA 6 V2(UL94)	DATE 09/05/2019
----------------------------------	---------------------------

DRAWN R.F.

COLOR NATURAL	CHECK
-------------------------	--------------

PART NUMBER SEE TABLE	DRAWING NUMBER 19.05.09.10379.0.E
---------------------------------	---

SIZE A4	SCALE NTS	UNIT mm.	REV A
-------------------	---------------------	--------------------	-----------------

UNLESS OTHERWISE SPECIFIED TOLERANCE	APPROVED
---	-----------------