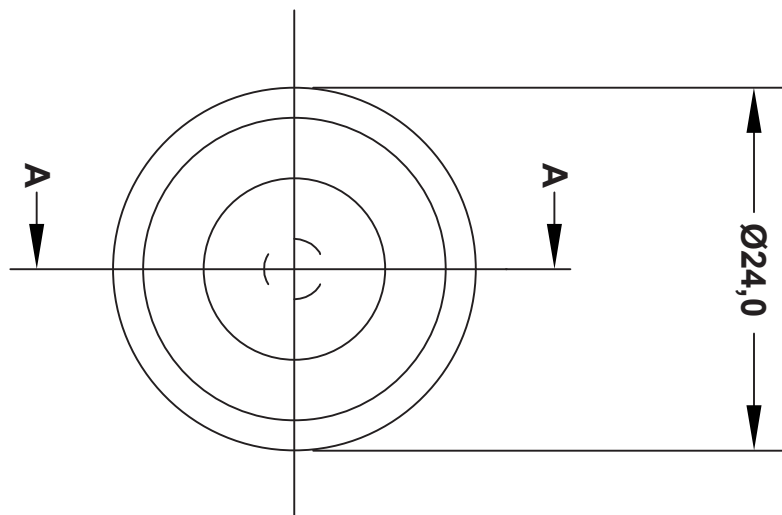
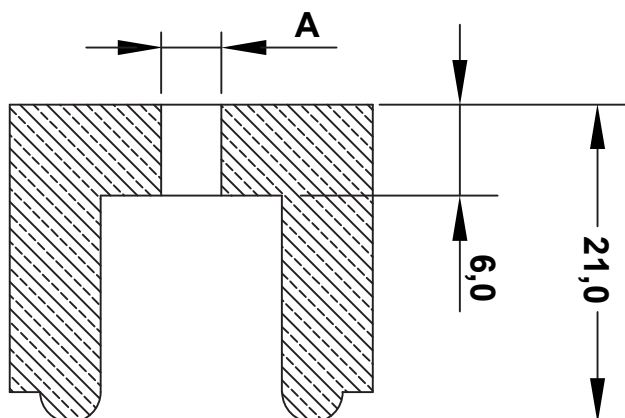


DIM.	TOL.
5mm DOWN	±0.2
5~20mm	±0.3
20~40mm	±0.4
40~60mm	±0.5
60~100mm	±0.8
100mm UP	±1.0

REVISIONS			
REV	DESCRIPTION	DATE	BY



P/N	A
1019EA01	4,0
1020EA01	5,0
4707EA01	6,0
4708EA01	7,0



**SECTION A-A**



TITLE  
**FEETS**

MATERIAL  
PE-LD

DATE  
29/11/2018

DRAWN  
R.F.

COLOR  
BLACK

CHECK

UNLESS OTHERWISE SPECIFIED  
TOLERANCE  
SEE ABOVE

APPROVED

PART NUMBER SEE TABLE		DRAWING NUMBER 18.11.29.XXXX.0.E	
SIZE A4	SCALE 1:2	UNIT mm.	REV A