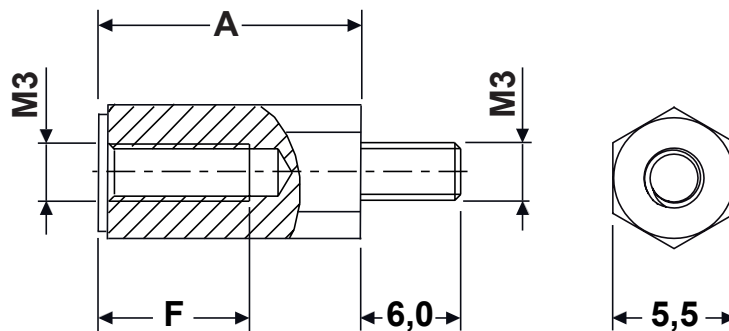


DIM.	TOL.
5mm DOWN	±0.2
5~20mm	±0.3
20~40mm	±0.4
40~60mm	±0.5
60~100mm	±0.8
100mm UP	±1.0


REVISIONS			
REV	DESCRIPTION	DATE	BY



P/N	A	F
10014AA0105.0	5.0	3.0
10014AA0106.0	6.0	4.0
10014AA0107.0	7.0	5.0
10014AA0108.0	8.0	6.0
10014AA0109.0	9.0	7.0
10014AA0110.0	10.0	8.0
10014AA0111.0	11.0	9.0
10014AA0112.0	12.0	10.0
10014AA0113.0	13.0	10.0
10014AA0114.0	14.0	10.0
10014AA0115.0	15.0	10.0
10014AA0116.0	16.0	10.0
10014AA0117.0	17.0	10.0
10014AA0118.0	18.0	10.0
10014AA0119.0	19.0	10.0
10014AA0120.0	20.0	10.0
10014AA0121.0	21.0	10.0
10014AA0122.0	22.0	10.0
10014AA0123.0	23.0	10.0
10014AA0124.0	24.0	10.0

P/N	A	F
10014AA0125.0	25.0	10.0
10014AA0126.0	26.0	10.0
10014AA0127.0	27.0	10.0
10014AA0128.0	28.0	10.0
10014AA0129.0	29.0	10.0
10014AA0130.0	30.0	10.0
10014AA0131.0	31.0	10.0
10014AA0132.0	32.0	10.0
10014AA0133.0	33.0	10.0
10014AA0134.0	34.0	10.0
10014AA0135.0	35.0	10.0
10014AA0136.0	36.0	10.0
10014AA0137.0	37.0	10.0
10014AA0138.0	38.0	10.0
10014AA0139.0	39.0	10.0
10014AA0140.0	40.0	10.0
10014AA0141.0	41.0	10.0
10014AA0142.0	42.0	10.0
10014AA0143.0	43.0	10.0
10014AA0144.0	44.0	10.0

P/N	A	F
10014AA0145.0	45.0	10.0
10014AA0146.0	46.0	10.0
10014AA0147.0	47.0	10.0
10014AA0148.0	48.0	10.0
10014AA0149.0	49.0	10.0
10014AA0150.0	50.0	10.0
10014AA0151.0	51.0	10.0
10014AA0152.0	52.0	10.0
10014AA0153.0	53.0	10.0
10014AA0154.0	54.0	10.0
10014AA0155.0	55.0	10.0
10014AA0156.0	56.0	10.0
10014AA0157.0	57.0	10.0
10014AA0158.0	58.0	10.0
10014AA0159.0	59.0	10.0
10014AA0160.0	60.0	10.0
10014AA0161.0	61.0	10.0

		TITLE <b>HEXAGONAL METRIC THREADED SPACERS</b>	
		MATERIAL PA 66 HB(UL94)	DATE 02/10/2019
PART NUMBER SEE TABLE		DRAWN R.F.	
DRAWING NUMBER 19.10.02.10014.0.E		CHECK	
SIZE A4	SCALE NTS	COLOR BLACK	APPROVED
UNIT mm.	REV A	UNLESS OTHERWISE SPECIFIED TOLERANCE SEE ABOVE	