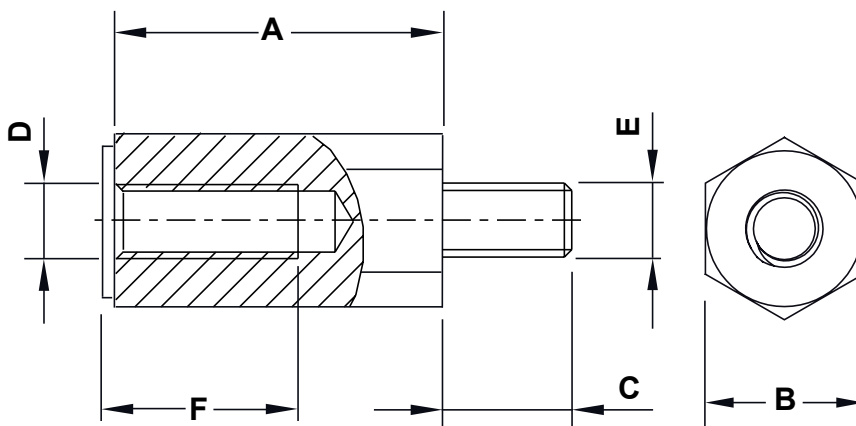


DIM.	TOL.
5mm DOWN	±0.2
5~20mm	±0.3
20~40mm	±0.4
40~60mm	±0.5
60~100mm	±0.8
100mm UP	±1.0

REVISIONS			
REV	DESCRIPTION	DATE	BY



B	D - E	C	A	F
5,0	M2.5 / M3	6,0	5,0 - 45,0	MIN 3,0 - MAX. 10,0



By order pls add the length of the requested Part at the end of the Part No.

Example:

6920AA0108.00 for a Spacer with a length of 8.0 mm

Increments: 1,0 mm

Special request only:

Colour: White

Material code: AA02 instead of AA01 used



TITLE
HEXAGONAL METRIC THREADED SPACER

MATERIAL
PA6.6 HB (UL94)

DATE
12/06/2017

DRAWN
R.F.

COLOR
BLACK

CHECK

PART NUMBER
10010AA01

DRAWING NUMBER
17.06.12.10010.0.E

SIZE
A4

SCALE
NTS

UNIT
mm.

REV
A

UNLESS OTHERWISE SPECIFIED
TOLERANCE
SEE ABOVE

APPROVED