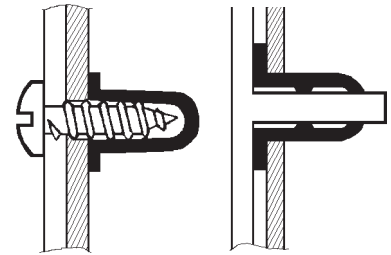
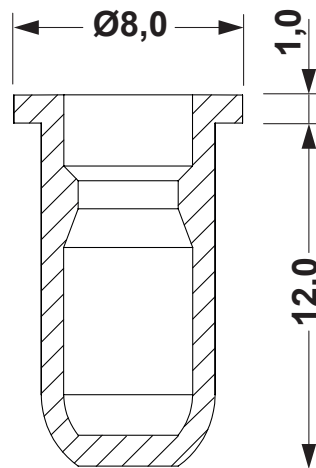


DIM.	TOL.
5mm DOWN	±0.2
5~20mm	±0.3
20~40mm	±0.4
40~60mm	±0.5
60~100mm	±0.8
100mm UP	±1.0


REVISIONS			
REV	DESCRIPTION	DATE	BY



ASSEMBLY



**MOUNTING HOLE Ø6,0
THICKNESS 1,0 - 2,0
PIN Ø4,0 - 4,5**

				TITLE BUSHINGS	
				MATERIAL PE-LD	DATE 28/07/2021
PART NUMBER 0955EA00				DRAWN R.F.	
				DRAWING NUMBER 21.07.28.0955.0.E	
SIZE A4				COLOR NATURAL	
				CHECK	
SCALE NTS				UNLESS OTHERWISE SPECIFIED TOLERANCE SEE ABOVE	
				APPROVED	
UNIT mm.				REV A	