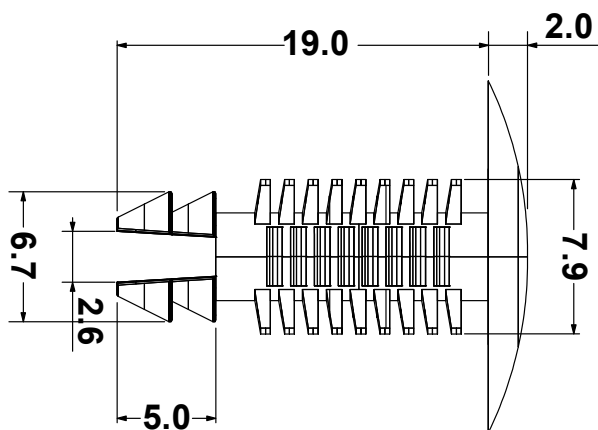
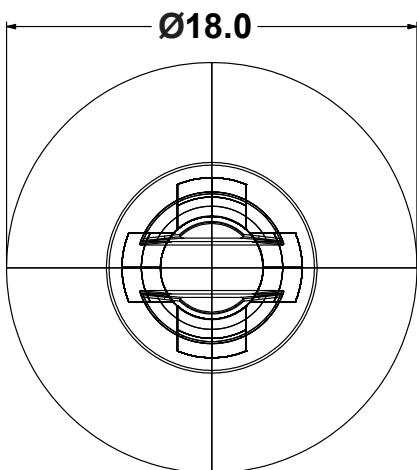
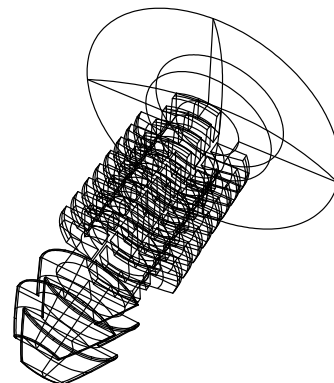
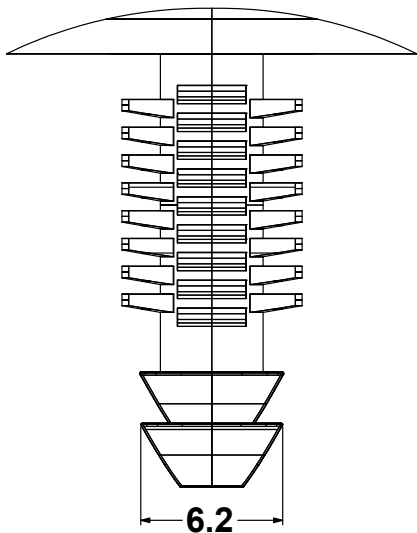


DIM.	TOL.
5mm DOWN	±0.2
5~20mm	±0.3
20~40mm	±0.4
40~60mm	±0.5
60~100mm	±0.8
100mm UP	±1.0

REVISIONS			
REV	DESCRIPTION	DATE	BY



MOUNTING HOLE: Ø 6,5
THICKNESS: 0,8 - 11,0



TITLE TOOTHED CLIPS	
MATERIAL PA 6.6 V2(UL94)	DATE 06/12/2018
	DRAWN R.F.
COLOR BLACK	CHECK
UNLESS OTHERWISE SPECIFIED TOLERANCE SEE ABOVE	APPROVED

PART NUMBER 0932AA01		DRAWING NUMBER 18.12.06.0932.0.E	
SIZE A4	SCALE NTS	UNIT mm.	REV A