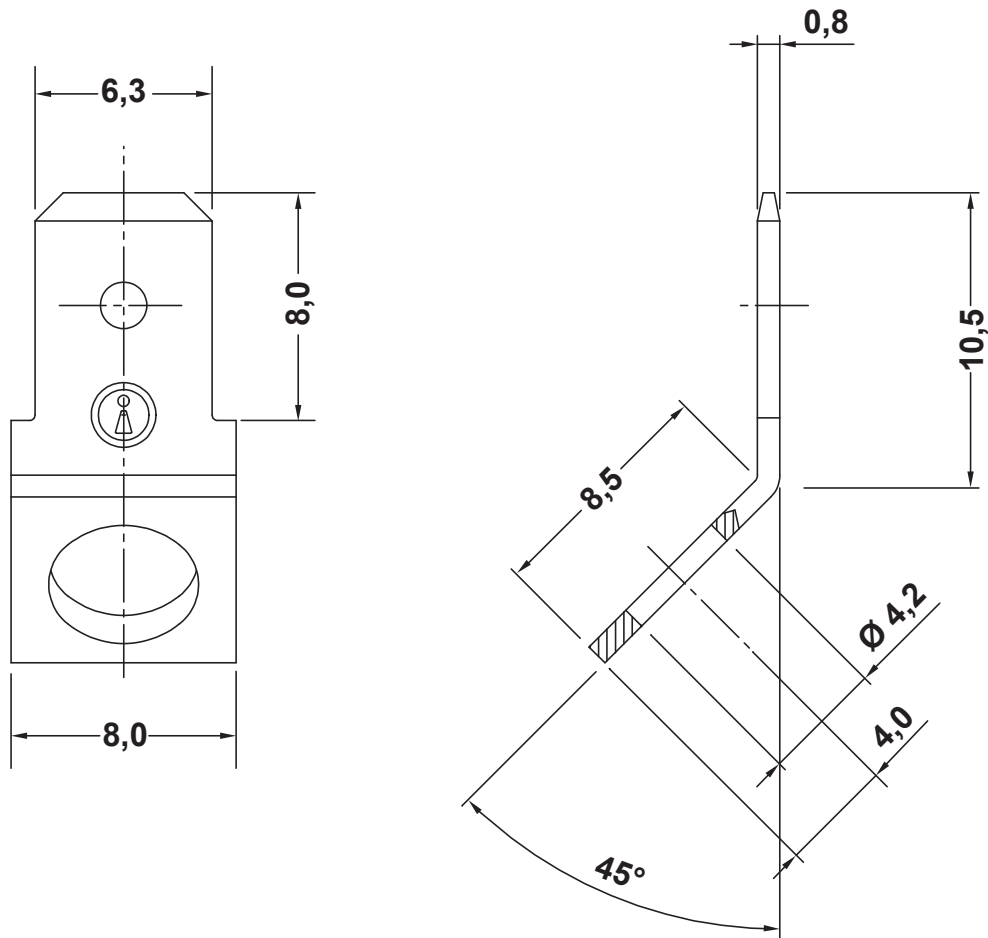


GENERAL TOLLERANCES

LINEAR TOLLER.	Dimensions	fino	> 3	> 6	> 10	> 18	> 30	> 50	> 80	> 120	> 180	> 250	> 315	> 400
		a 3	a 6	a 10	a 18	a 30	a 50	a 80	a 120	a 180	a 250	a 315	a 400	a 500
	±	0.03	0.04	0.05	0.06	0.07	0.08	0.1	0.11	0.13	0.15	0.16	0.18	0.2
ISO J13	X ±	0.07	0.09	0.11	0.14	0.17	0.2	0.23	0.27	0.32	0.36	0.4	0.45	0.5
	±	-	-	0.75	0.9	1.05	1.25	1.5	1.75	2	2.3	2.6	2.85	3.15
ANG.	±	2°												

REVISIONS

REV	DESCRIPTION	DATE	BY



TITLE **TAB 45° 6,3 X 0,8 WITH HOLE Ø 4,3**

MATERIAL **TIN-PLATED BRASS**

DATE **08/05/2017**

TREATMENTS

DRAWN **R.F.**

COLOR

CHECK

PART NUMBER

0907MA91

DRAWING NUMBER

17.05.08.0907.0.E

SIZE **A4**

SCALE **NTS**

UNIT **mm.**

REV **A**

UNLESS OTHERWISE SPECIFIED TOLERANCE **SEE ABOVE**

APPROVED