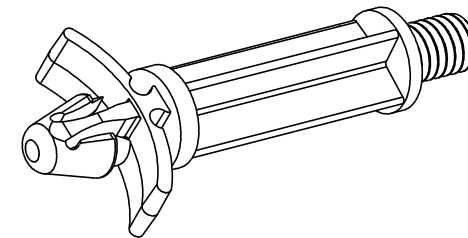
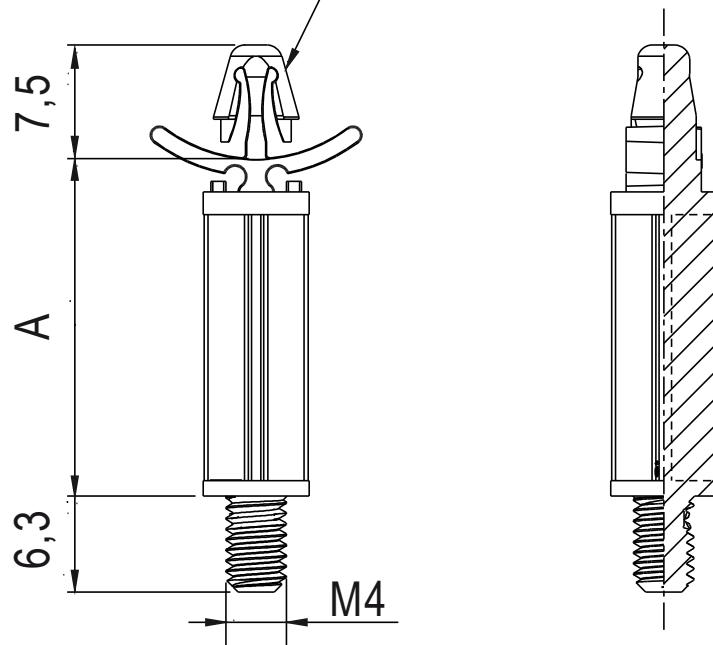


DIM.	TOL.
5mm DOWN	±0.2
5~20mm	±0.3
20~40mm	±0.4
40~60mm	±0.5
60~100mm	±0.8
100mm UP	±1.0



P.C.B. HOLE Ø 4,8
THICKNESS: 1,0 - 2,6



PART NO.	A	MATERIAL
0692BA00	6,3	PA 66 V2(UL94) 25%GV
0693BA00	9,5	PA 66 V2(UL94) 25%GV
0694BA00	12,6	PA 66 V2(UL94) 25%GV
0695AA00	15,8	PA 66 V2(UL94)
0696BA00	19,0	PA 66 V2(UL94) 25%GV
0697BA00	22,2	PA 66 V2(UL94) 25%GV

REV.	DESCRIPTION	DATE	TITLE: THREADED SPACER WITH SNAP-LOCK	DWG UNIT: MM
	MATERIAL: SEE TABLE		<i>Modelled in RHINO 4.0</i> FILE:	DwN: 11/04/09
	COLOUR: NATURAL		TOLLERANCES UNLESS NOTED	ChkD:
			SEE ABOVE	DT: 09.11.04.069X.E
			SHEET: 1 OF 1	Part Number: SEE TABLE
			SCALE: NTS	
				fastpoint