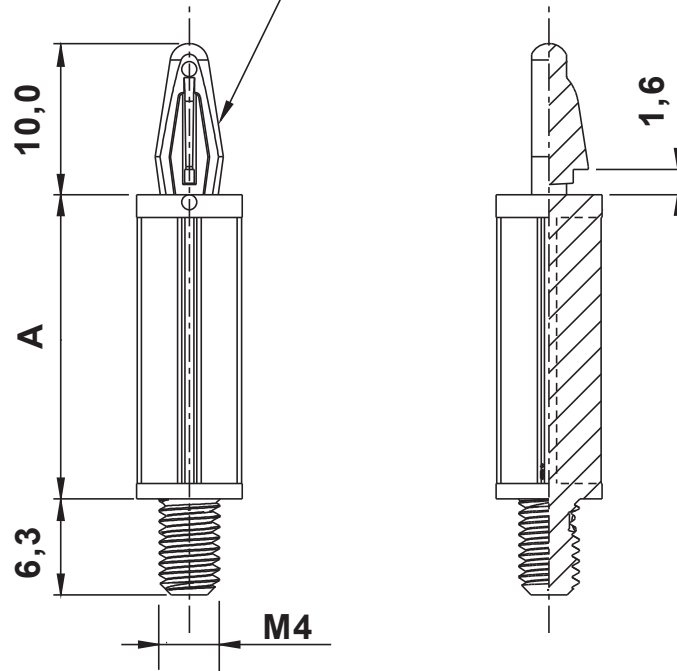


Dimensions	Tolerance
5mm DOWN	±0.2
5~20mm	±0.3
20~40mm	±0.4
40~60mm	±0.5
60~100mm	±0.8
100mm UP	±1.0

REVISIONS			
REV	DESCRIPTION	DATE	BY

P.C.B. HOLE Ø 4,0  
THICKNESS: 1,6



P/N	A
0680BA00	4,2
0681AA00	7,3
0682BA00	10,4
0683BA00	13,6
0684BA00	16,8
0685BA00	20,0

REV.	DESCRIPTION	DATE	TITLE: <b>THREADED SPACER WITH SNAP-LOCK</b>	DWG UNIT: MM
	MATERIAL: NYLON 66 V2(UL94) COLOUR: NATURAL		<i>Modelled in RHINO 4.0</i> FILE:	ChkD:
			TOLLERANCES UNLESS NOTED	DT: 09.11.04.068X.0.E Part Number: SEE TABLE
			SEE ABOVE	
			SHEET: 1 OF 1	
			SCALE: NTS	

