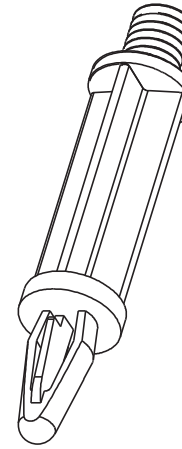
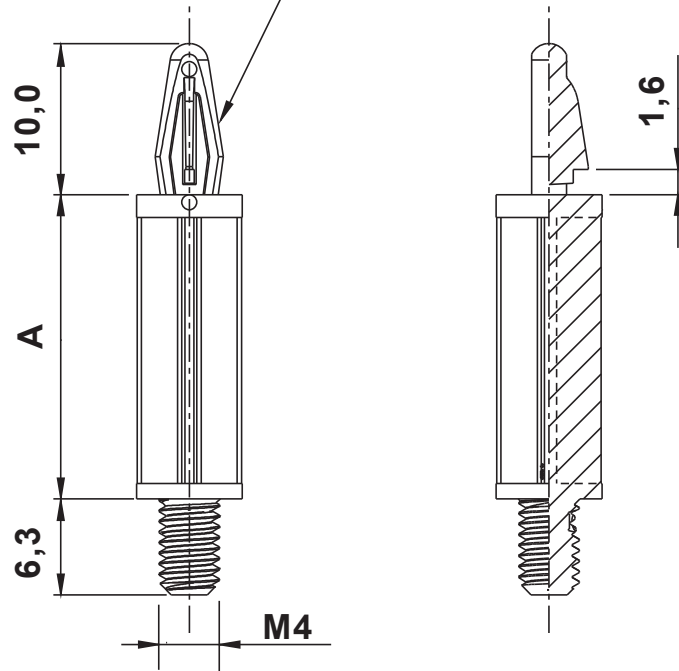


Dimensions	Tolerance
5mm DOWN	±0.2
5~20mm	±0.3
20~40mm	±0.4
40~60mm	±0.5
60~100mm	±0.8
100mm UP	±1.0

REVISIONS			
REV	DESCRIPTION	DATE	BY

P.C.B. HOLE Ø 4,0
THICKNESS: 1,6



P/N	A
0680BA00	4,2
0681AA00	7,3
0682BA00	10,4
0683BA00	13,6
0684AA00	16,8
0685BA00	20,0

	DESCRIPTION		TITLE: THREADED SPACER WITH SNAP-LOCK	DWG UNIT: MM
	MATERIAL: NYLON 66 V2(UL94)		Modelled in RHINO 4.0	FILE: DwN: 11/04/09
	COLOUR: NATURAL		TOLLERANCES UNLESS NOTED	DT: 09.11.04.068X.0.E ChkD: Part Number: SEE TABLE
			SEE ABOVE	
			SHEET: 1 OF 1	
			SCALE: NTS	
REV.		DATE		

