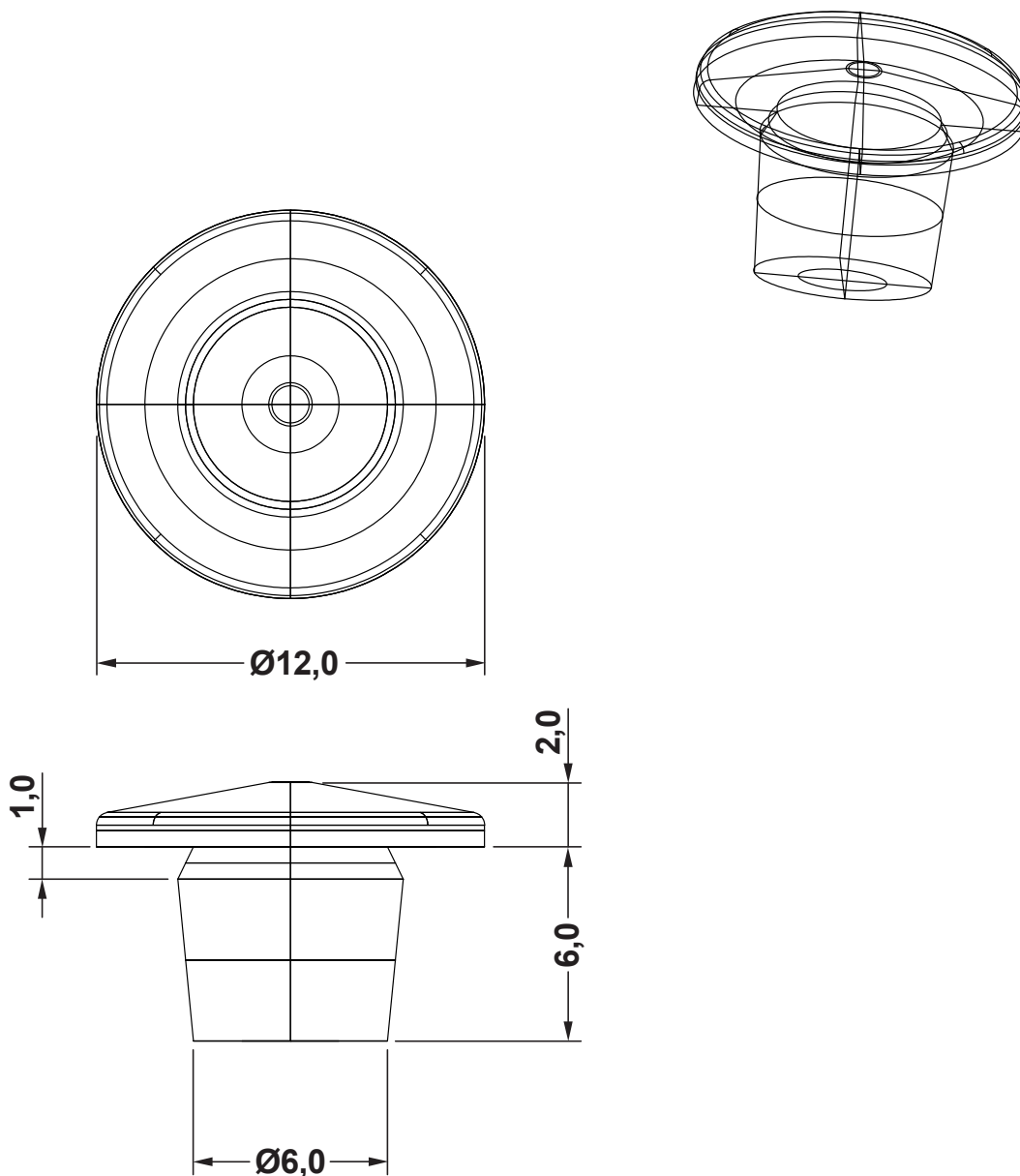


DIM.	TOL.
5mm DOWN	±0.2
5~20mm	±0.3
20~40mm	±0.4
40~60mm	±0.5
60~100mm	±0.8
100mm UP	±1.0

REVISIONS			
REV	DESCRIPTION	DATE	BY



TITLE FEETS & PUSH-IN BUMPERS	
MATERIAL PVC	DATE 07/01/2019
	DRAWN R.F.
COLOR BLACK	CHECK
UNLESS OTHERWISE SPECIFIED TOLERANCE SEE ABOVE	APPROVED

PART NUMBER 0445CA01		DRAWING NUMBER 19.01.07.0445.0.E	
SIZE A4	SCALE NTS	UNIT mm.	REV A