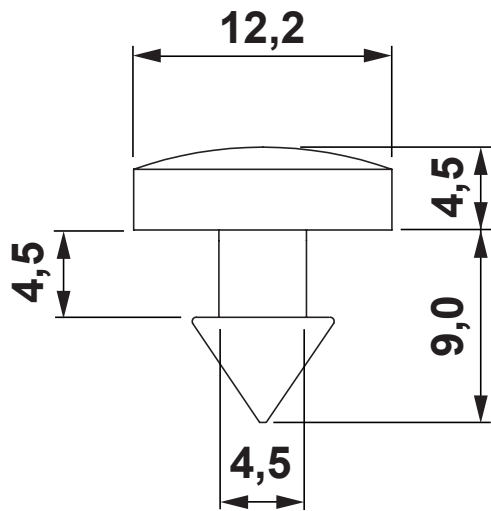



REVISIONS			
REV	DESCRIPTION	DATE	BY



				TITLE FEETS AND PUSH-IN BUMPERS	
				MATERIAL SOFT PVC	
PART NUMBER 0444CA01				DRAWING NUMBER 21.07.26.0444.0.E	
COLOR BLACK				CHECK	
SIZE A4	SCALE NTS	UNIT mm.	REV A	UNLESS OTHERWISE SPECIFIED TOLERANCE SEE ABOVE	
				APPROVED	