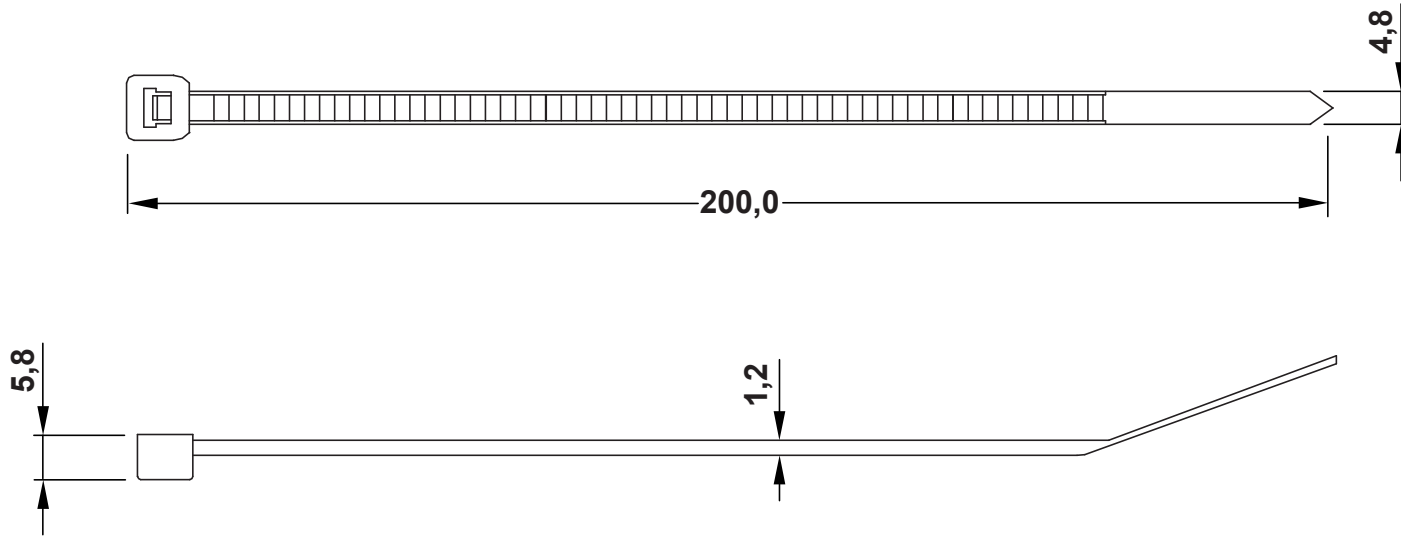



DIM.	TOL.
5mm DOWN	±0.2
5~20mm	±0.3
20~40mm	±0.4
40~60mm	±0.5
60~100mm	±0.8
100mm UP	±1.0

REVISIONS			
REV	DESCRIPTION	DATE	BY



**MAX. CABLE DIAMETER Ø 50,0**  
**MIN. LOOP TENSILE STRENGTH 22,20**

DESCRIPTION		TITLE: <b>STANDARD CABLE TIES</b>		DWG UNIT: MM	
MATERIAL: PA66 V2(UL94)		Modelled in RHINO 4.0		FILE:	
COLOUR: NATURAL		TOLLERANCES UNLESS NOTED		DwN: 19.03.11.0386.E.0	
WORKING TEMPERATURE: -35°C ~ +85°C		SEE ABOVE		DT: 11/03/19	
		SHEET: 1 OF 1		ChkD:	
		SCALE: NTS		Part Number: 0386AA00	
					
REV.		DATE			