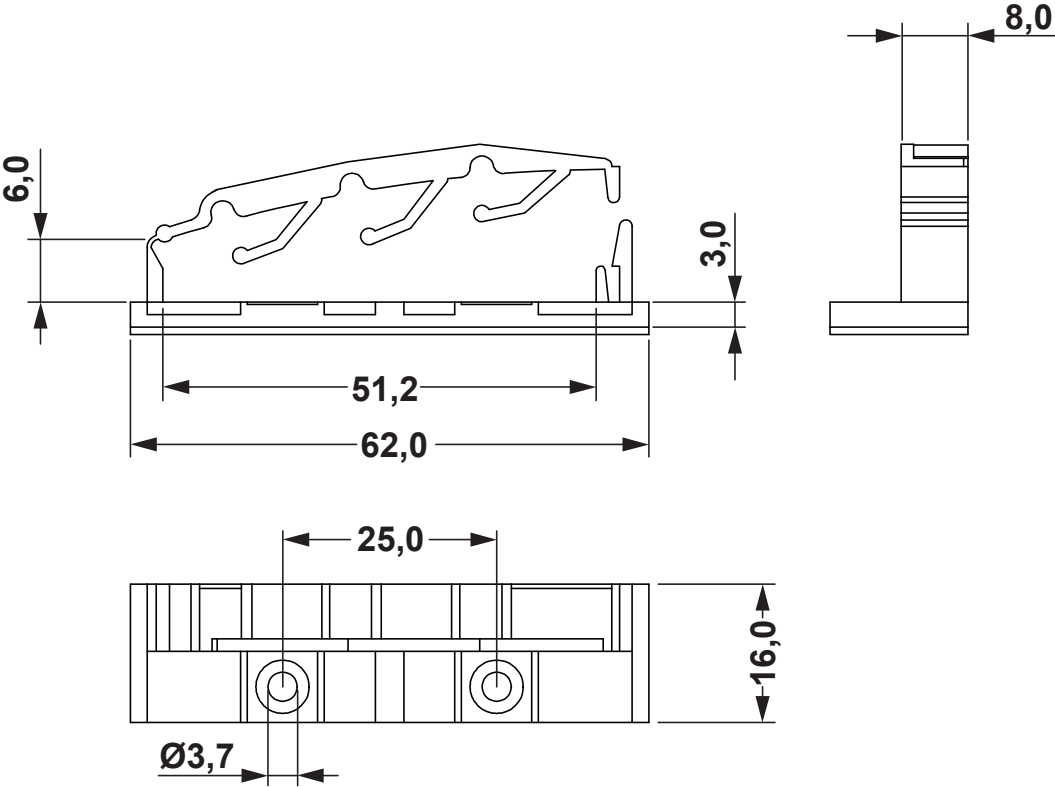
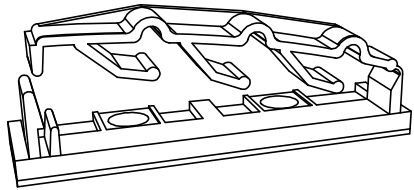


| REVISIONS |             |      |    |
|-----------|-------------|------|----|
| REV       | DESCRIPTION | DATE | BY |
|           |             |      |    |
|           |             |      |    |



**3M THICKNESS: 0,9 mm  
DOUBLE ADHESIVE TAPE**



|  |                     |   |                 |                           |  |
|--|---------------------|---|-----------------|---------------------------|--|
| <b>TITLE</b><br><b>SELF ADHESIVE WIRE CLIPS FOR FLAT CABLE</b> |                     | <b>MATERIAL</b><br>PA 66 V2(UL94)           |                 | <b>DATE</b><br>27/03/2019 |  |
|  |                     | <b>COLOR</b><br>NATURAL                     |                 | <b>DRAWN</b><br>R.F.      |  |
|  |                     | <b>UNLESS OTHERWISE SPECIFIED TOLERANCE</b> |                 | <b>CHECK</b>              |  |
|  |                     | <b>APPROVED</b>                             |                 |                           |  |
| <b>PART NUMBER</b><br>0359AA00AS                               |                     | <b>DRAWING NUMBER</b><br>19.03.27.0359.0.E  |                 |                           |  |
| <b>SIZE</b><br>A4  | <b>SCALE</b><br>NTS | <b>UNIT</b><br>mm.                          | <b>REV</b><br>A |                           |  |