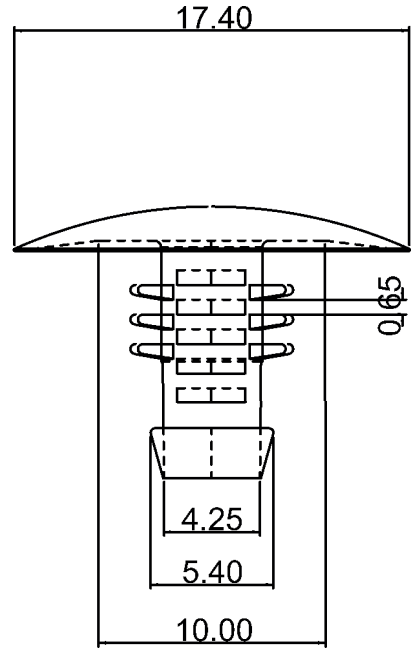
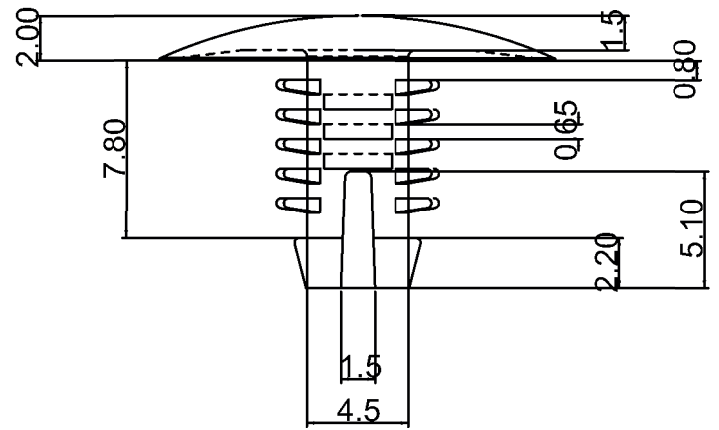
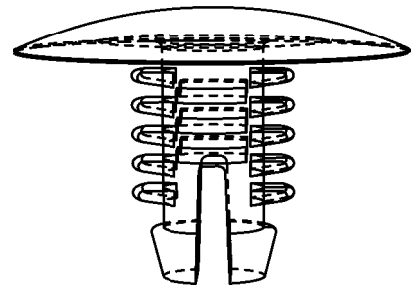
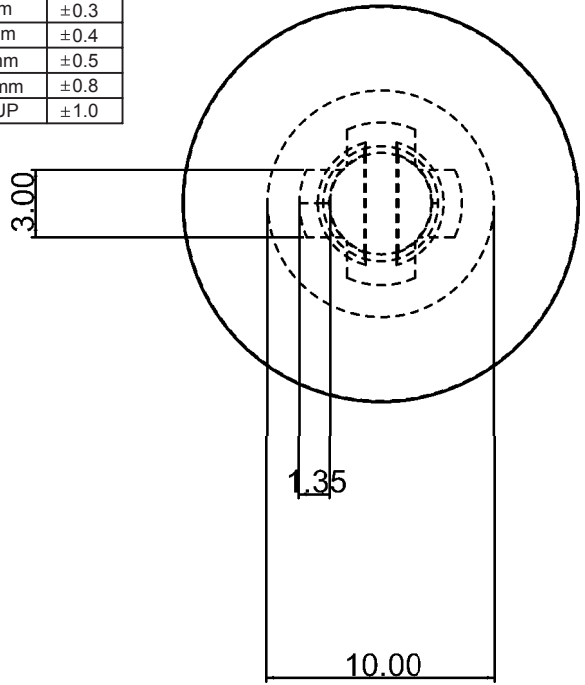


DIM.	TOL.
5mm DOWN	±0.2
5~20mm	±0.3
20~40mm	±0.4
40~60mm	±0.5
60~100mm	±0.8
100mm UP	±1.0

REVISIONS			
REV	DESCRIPTION	DATE	BY



MOUNTING HOLE: Ø6,5
PANEL THICKNESS: 0,8 - 1,5

MATERIAL: PA6.6 V2(UL94)		TITLE: TOOTHED CLIPS		DWG UNIT: MM	
COLOUR: BLACK		Modelled in RHINO 4.0		FILE:	
		TOLLERANCES UNLESS NOTED		DwN: 18.02.26.0270.0.E	
		SEE ABOVE		DT: 26/02/2018	
				ChkD: .	
				Part Number: 0270AA01	
REV.	DESCRIPTION	DATE	SCALE		
			3:1		

