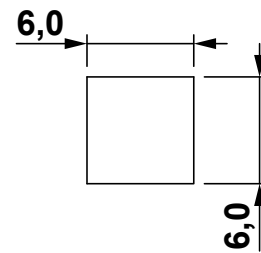
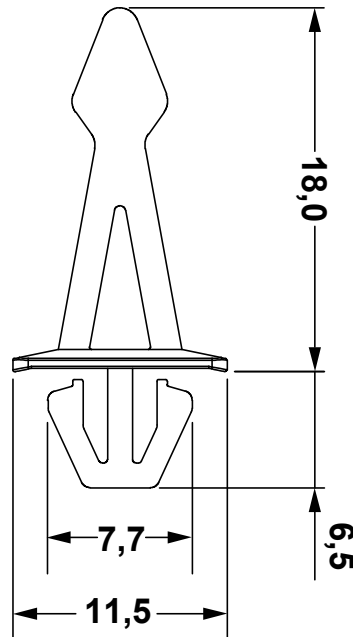
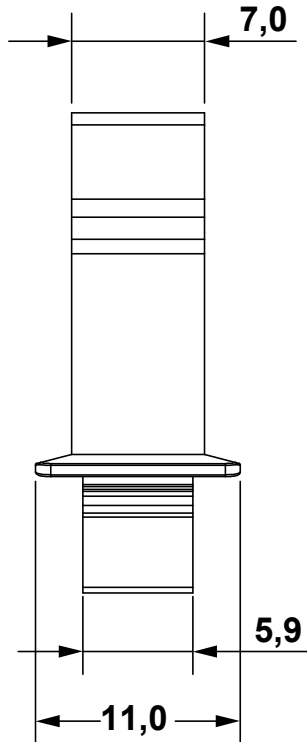



DIM.	TOL.
5mm DOWN	±0.2
5~20mm	±0.3
20~40mm	±0.4
40~60mm	±0.5
60~100mm	±0.8
100mm UP	±1.0

REVISIONS			
REV	DESCRIPTION	DATE	BY



**MOUNTING HOLE  
THICKNESS: 0,8 - 1,2**

				TITLE	DOOR LOCK			
				MATERIAL	PA6.6 V2(UL94)	DATE	19/07/2017	
PART NUMBER 0194AA01				DRAWING NUMBER 17.07.19.0194.0.E		FINISH	DRAWN	R.F.
						COLOR	BLACK	CHECK
SIZE	SCALE	UNIT	REV	UNLESS OTHERWISE SPECIFIED TOLERANCE SEE ABOVE		APPROVED		
A4	NTS	mm	A					