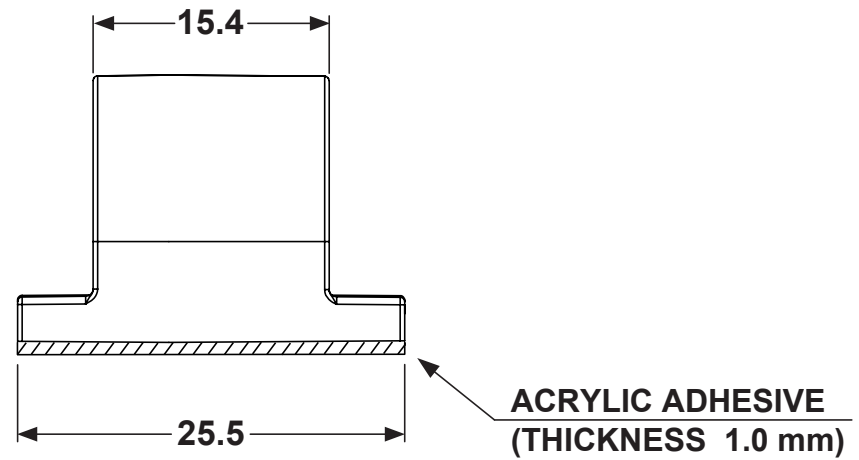
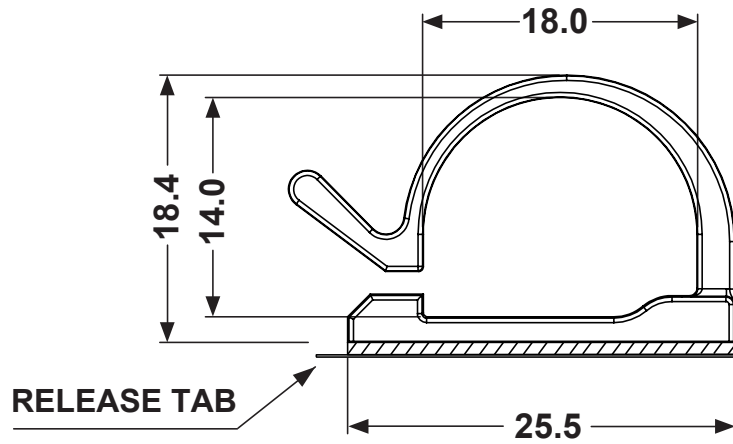


DIM.	TOL.
5mm DOWN.	±0.2
5~20mm	±0.3
20~40mm	±0.4
40~60mm	±0.5
60~100mm	±0.8
100mm UP.	±1.0

REVISIONS			
REV	DESCRIPTION	DATE	BY



REV.	DESCRIPTION	DATE	TITLE: SELF ADHESIVE WIRE CLIPS	DWG UNIT: MM
	MATERIAL: PA 66 V2 (UL94)		<i>Modelled in RHINO 4.0</i> FILE:	DwN: 28/03/18
	COLOUR: NATURAL		TOLLERANCES UNLESS NOTED	ChkD:
			SEE ABOVE	DT: 18.03.28.0041.0.E. Part Number: 0041AA00CS
			SCALE: NTS	

