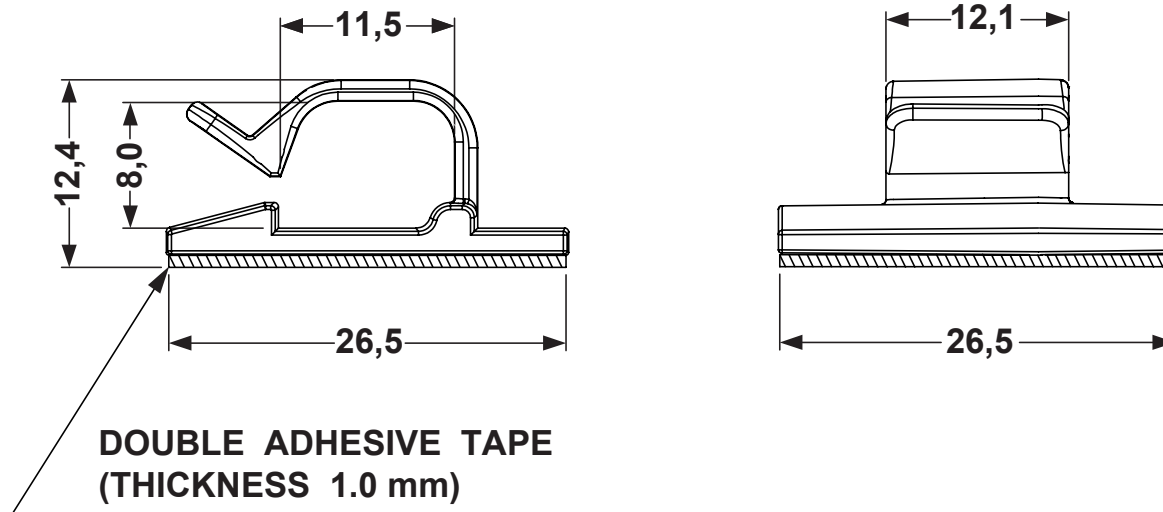


DIM.	TOL
5mm DOWN	±0.2
5~20mm	±0.3
20~40mm	±0.4
40~60mm	±0.5
60~100mm	±0.8
100mm UP	±1.0

REVISIONS			
REV	DESCRIPTION	DATE	BY



	DESCRIPTION		TITLE: <b>SELF ADHESIVE WIRE CLIPS</b>	DWG UNIT: MM
	MATERIAL: PA66 V2 (UL94)		Modelled in <i>RHINO 4.0</i> FILE:	DwN: 12/11/12
	COLOUR: NATURAL		TOLLERANCES UNLESS NOTED	ChkD:
			SEE ABOVE	DT: 12.11.12.0039.E.0 Part Number: 0039AA00
			SCALE: NTS	
REV.		DATE		