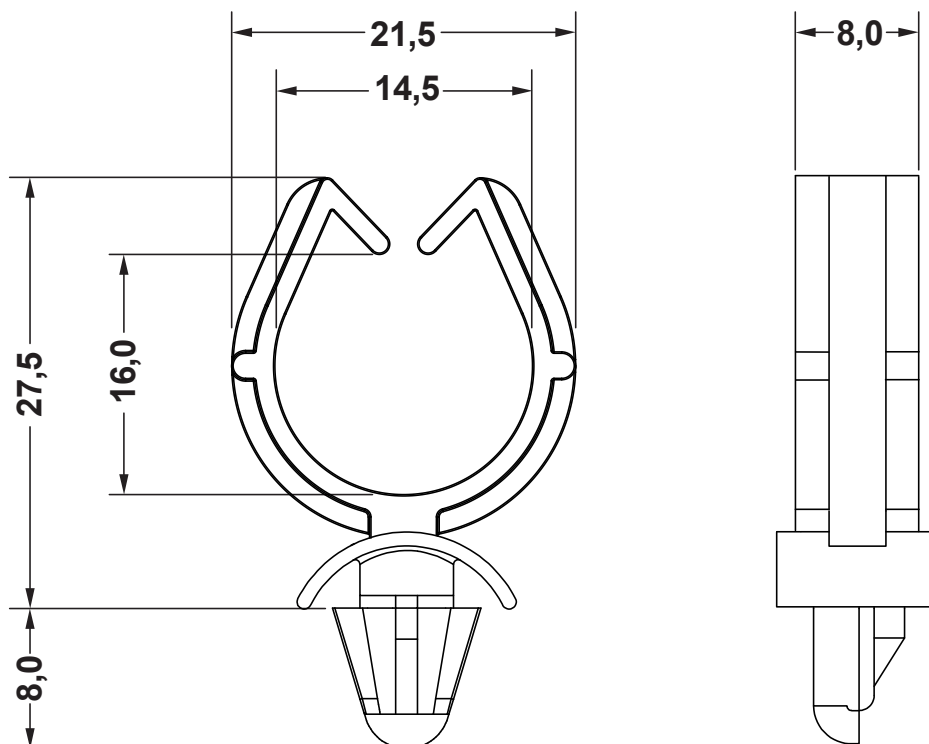



DIM.	TOL.
5mm DOWN	±0.2
5~20mm	±0.3
20~40mm	±0.4
40~60mm	±0.5
60~100mm	±0.8
100mm UP	±1.0

REVISIONS			
REV	DESCRIPTION	DATE	BY



MOUNTING HOLE Ø6,5
PANEL THICKNESS 0,5 - 1,5

				TITLE WIRE AND PIPE CLIPS	
				MATERIAL PA 6.6 V2(UL94)	DATE 19/10/2018
PART NUMBER 0024AA01		DRAWING NUMBER 18.10.19.0024.0.E		COLOR BLACK	DRAWN R.F.
SIZE A4	SCALE NTS	UNIT mm.	REV A	UNLESS OTHERWISE SPECIFIED TOLERANCE SEE ABOVE	CHECK APPROVED