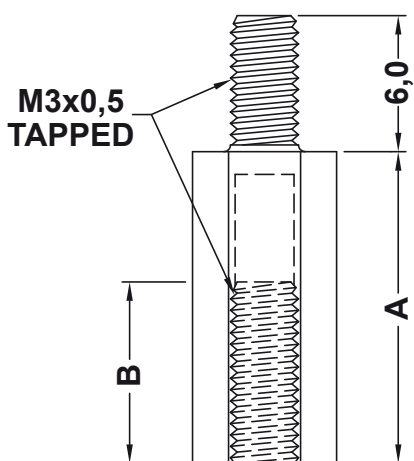
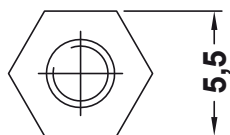


DIM.	TOL
5mm DOWN	±0.2
5~20mm	±0.3
20~40mm	±0.4
40~60mm	±0.5
60~100mm	±0.8
100mm UP	±1.0

REVISIONS			
REV	DESCRIPTION	DATE	BY




PART NO.	A	B
12277AA00	4.0	3.0
5691AA00	5.0	3.0
5692AA00	6.0	4.0
5693AA00	7.0	5.0
12278AA00	7.5	5.0
5694AA00	8.0	6.0
12279AA00	8.5	6.0
5695AA00	9.0	6.0
5696AA00	10.0	6.0
5697AA00	10.5	6.0
5698AA00	11.0	6.0
5699AA00	12.7	6.0
5700AA00	12.0	6.0
5701AA00	13.0	6.0
5702AA00	14.0	6.0
5703AA00	15.0	6.0
12280AA00	15.5	6.0
5704AA00	16.0	6.0
5705AA00	16.5	6.0
5706AA00	17.0	6.0

PART NO.	A	B
5707AA00	18.0	6.0
5708AA00	18.5	6.0
5709AA00	19.0	6.0
5710AA00	20.0	8.0
5711AA00	21.0	6.0
5712AA00	22.0	6.0
5713AA00	24.5	6.0
5714AA00	25.0	6.0
5715AA00	27.0	6.0
12281AA00	28.0	6.0
12282AA00	28.5	6.0
5716AA00	30.0	8.0
5717AA00	33.0	6.0
12283AA00	34.5	6.0
5718AA00	35.0	6.0
12284AA00	36.0	6.0
12285AA00	40.0	6.0
12286AA00	45.0	6.0

NOTE:(1)Inner thread was done by 2nd process taping.

Some slight nylon burrs remained inslide the thread hole is a normal phenomenon.

(2)All measurement does not include gate which raises under 0.3mm.

				TITLE THREADED SPACER	
				MATERIAL PA66 V2 (UL94)	DATE 05.04.2017
				FINISH	DRAWN R.F.
PART NUMBER SEE TABLE		DRAWING NUMBER 17.04.05.XXXX.0.E		COLOR NATURAL	CHECK
SIZE A4	SCALE NTS	UNIT mm.	REV D	UNLESS OTHERWISE SPECIFIED TOLERANCE SEE ABOVE	APPROVED