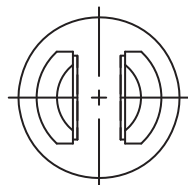
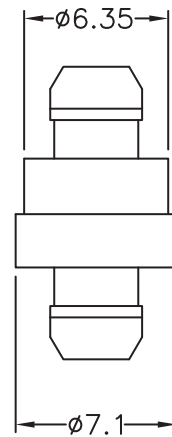
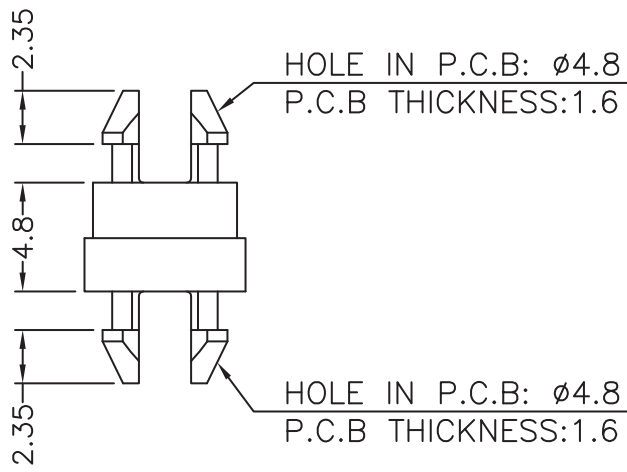
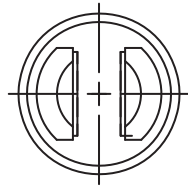


DIM.	TOL
5mm DOWN	±0.2
5~20mm	±0.3
20~40mm	±0.4
40~60mm	±0.5
60~100mm	±0.8
100mm UP	±1.0

REVISIONS			
REV	DESCRIPTION	DATE	BY



NOTE: All measurement does not include gate which raises under 0.3mm.



TITLE P.C.B. SUPPORT			
MATERIAL PA66 V2 UL94		DATE 17/05/2011	
		DRAWN J.D.	
COLOR NATURAL		CHECK	
UNLESS OTHERWISE SPECIFIED TOLERANCE SEE ABOVE		APPROVED	

PART NUMBER 9493AA00		DRAWING NUMBER 11.05.17.9493.0.E	
SIZE A4	SCALE 3:1	UNIT mm.	REV A