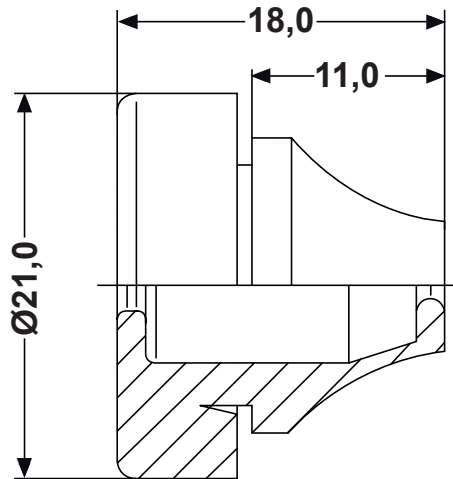



DIM.	TOL.
5mm DOWN	±0.2
5~20mm	±0.3
20~40mm	±0.4
40~60mm	±0.5
60~100mm	±0.8
100mm UP	±1.0

REVISIONS			
REV	DESCRIPTION	DATE	BY



**NOTES:**  
**SIZE: M16**  
**CABLE DIAMETER: Ø 5,0 - 9,0**  
**MOUNTING HOLE: 16,5 mm**  
**THICKNESS: 1,0 - 4,0 mm**

**“LIGHT” type is produced with less material making it easier and faster to install**

				TITLE METRIC SNAP-FIT LIGHT GROMMET IP67	
				MATERIAL EPDM	
PART NUMBER 9030GS117001				DRAWING NUMBER 17.08.28.9030.0.E	
COLOR GREY RAL 7001				CHECK	
UNLESS OTHERWISE SPECIFIED TOLERANCE SEE ABOVE				APPROVED	
SIZE A4	SCALE NTS	UNIT mm.	REV A		