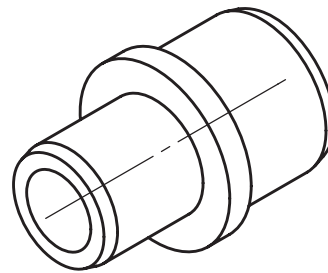
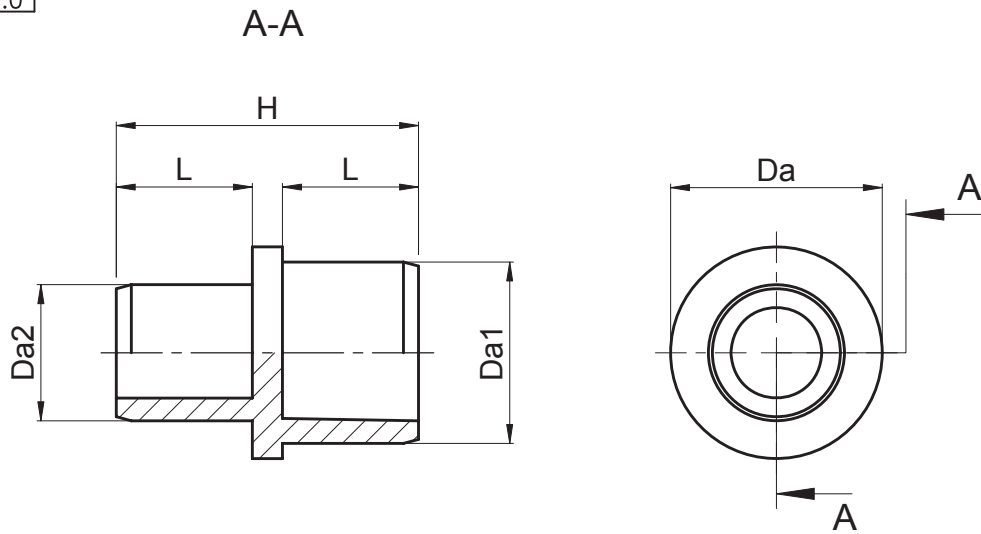


DIM.	TOL
5mm DOWN	±0.2
5~20mm	±0.3
20~40mm	±0.4
40~60mm	±0.5
60~100mm	±0.8
100mm UP	±1.0

REVISIONS			
REV	DESCRIPTION	DATE	BY



PART NO.	L	H	Da	Da1	Da2
8897BB117035	6	14	8,5	6,5	5
8898BB117035	7	16	10	8	6
8899BB117035	8	18	12	10	7
8900BB117035	9	20	14	12	9
8901BB117035	10	22,5	16	14	12
8902BB117035	12	26,5	20	18	16
8903BB117035	14	30,5	28	25	20



TITLE
BLANKING PLUG

MATERIAL
PA6 GF 30

DATE
17/05/2011

DRAWN
J.D.

COLOR
RAL 7035

CHECK

PART NUMBER
SEE TABLE

DRAWING NUMBER
11.05.17.8897.0.E

UNLESS OTHERWISE SPECIFIED
TOLERANCE
SEE ABOVE

APPROVED

SIZE
A4

SCALE
NTS

UNIT
mm.

REV
A