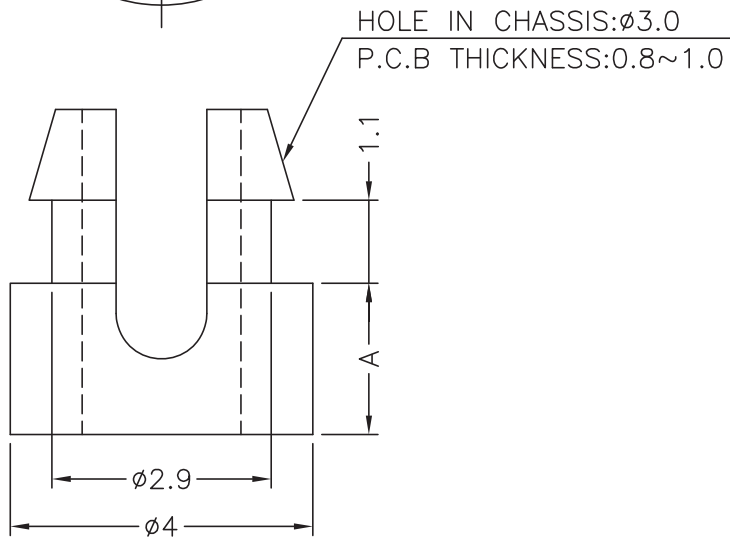
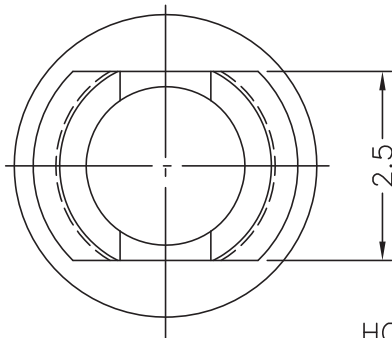


DIM.	TOL
5mm DOWN	±0.2
5~20mm	±0.3
20~40mm	±0.4
40~60mm	±0.5
60~100mm	±0.8
100mm UP	±1.0

REVISIONS			
REV	DESCRIPTION	DATE	BY



FOR M2 SCREW

PART NO.	A
8470 AA00	2,0
8471 AA00	3,0
8472 AA00	4,0
8473 AA00	5,0
8474 AA00	6,0
8475 AA00	2,0
8476 AA00	3,0
8477 AA00	4,0
8478 AA00	5,0
8479 AA00	6,0



fastpoint		TITLE SPACER SUPPORT	
		MATERIAL NYLON 66 UL94V-2	DATE 10/09/2015
PART NUMBER SEE TABLE		DRAWN S.P.	
DRAWING NUMBER 15.09.10.8470.0.E		COLOR NATURAL	CHECK
SIZE A4	SCALE NTS	UNLESS OTHERWISE SPECIFIED TOLERANCE SEE ABOVE	APPROVED
UNIT mm.	REV A		