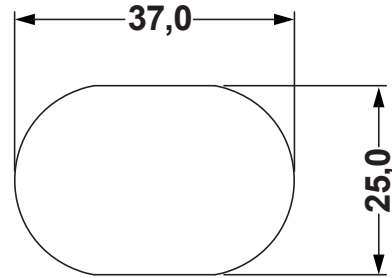
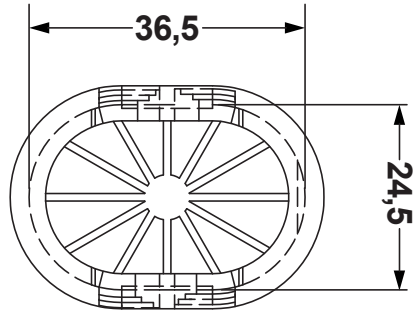
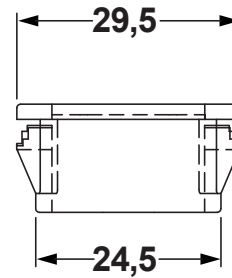
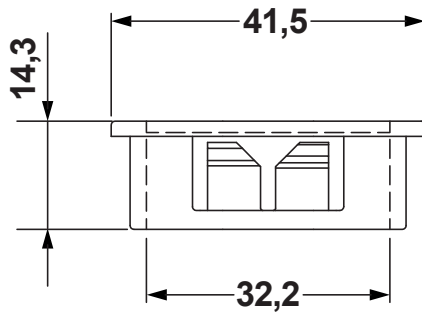


DIM.	TOL.
5mm DOWN	±0.2
5~20mm	±0.3
20~40mm	±0.4
40~60mm	±0.5
60~100mm	±0.8
100mm UP	±1.0

REVISIONS			
REV	DESCRIPTION	DATE	BY



MOUNTING HOLE
PANEL THICKNESS: 1,3 - 3,0



TITLE
RIGID SNAP CABLE BUSHINGS WITH MEMBRANE

MATERIAL
NYLON 66 UL94V-2

DATE
13/02/2017

HARDNESS

DRAWN
R.F.

PART NUMBER
8466AA01

DRAWING NUMBER
17.02.13.8466.0.E

COLOR
BLACK

CHECK

SIZE
A4

SCALE
1:1

UNIT
mm

REV
A

UNLESS OTHERWISE SPECIFIED TOLERANCE
SEE ABOVE

APPROVED