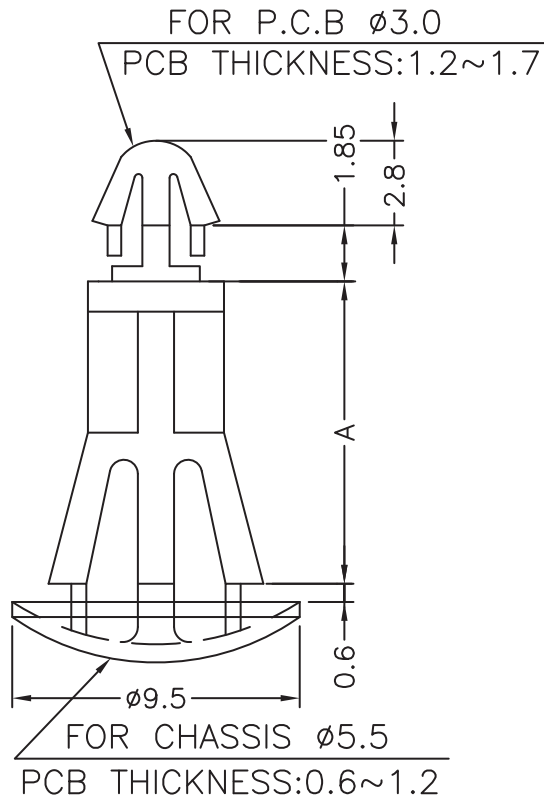


DIM.	TOL
5mm DOWN	±0.2
5~20mm	±0.3
20~40mm	±0.4
40~60mm	±0.5
60~100mm	±0.8
100mm UP	±1.0

REVISIONS			
REV	DESCRIPTION	DATE	BY



PART NO.	A
8456AA00	3.5
8457AA00	4.8
8458AA00	6.35
8459AA00	7.0
8460AA00	8.0
8461AA00	10.0
8462AA00	11.0
8463AA00	12.7
8464AA00	15.9



TITLE		REVERSE LOCKING P.C.B. SPACER	
MATERIAL	PA66 V2 UL94	DATE	17/05/2011
		DRAWN	J.D.
COLOR	NATURAL	CHECK	
UNLESS OTHERWISE SPECIFIED TOLERANCE	SEE ABOVE	APPROVED	

PART NUMBER		DRAWING NUMBER	
SEE TABLE		11.05.17.8456.0.E	
SIZE	SCALE	UNIT	REV
A4	NTS	mm.	A