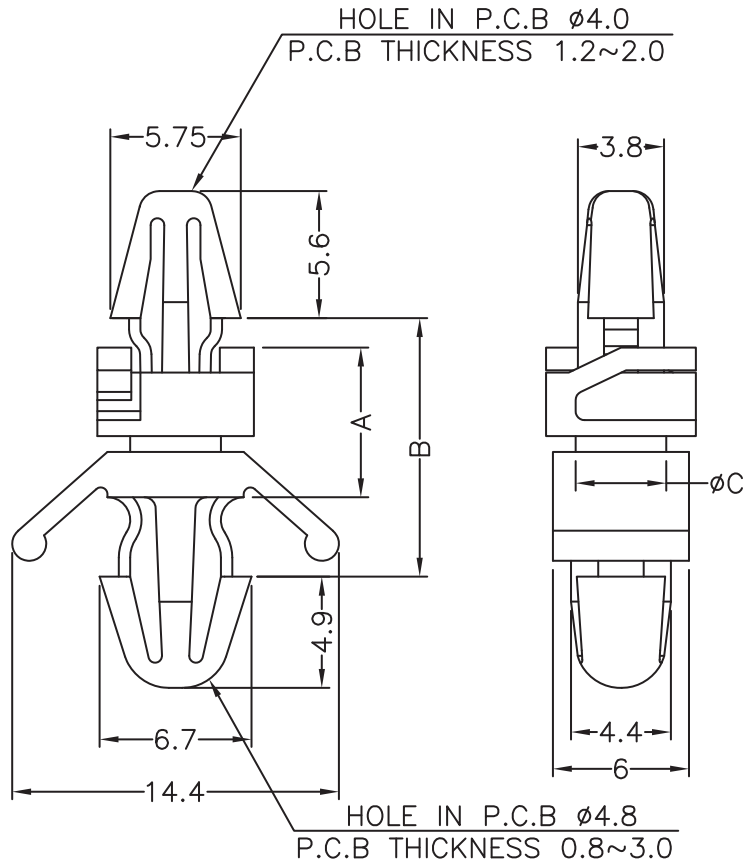


DIM.	TOL.
5mm DOWN.	±0.2
5~20mm	±0.3
20~40mm	±0.4
40~60mm	±0.5
60~100mm	±0.8
100mm UP.	±1.0

REVISIONS			
REV	DESCRIPTION	DATE	BY



PART NO.	A	B	ØC
8428AA00	6.6	11.4	4.0
8429AA00	9.6	14.4	4.0
8430AA00	11.8	16.6	4.0
8431AA00	12.9	17.7	4.0
8432AA00	19.3	24.1	4.5
8433AA00	22.4	27.2	4.5
8434AA00	25.6	30.4	4.5
8435AA00	28.8	33.6	4.5
8436AA00	35.1	39.9	4.5



TITLE			
P.C.B. LOCKING SPACER			
MATERIAL		DATE	
PA66 V2 UL 94		17/05/2011	
FINISH		DRAWN	
		J.D.	
COLOR		CHECK	
NATURAL			
UNLESS OTHERWISE SPECIFIED TOLERANCE		APPROVED	
SEE ABOVE			

PART NUMBER		DRAWING NUMBER	
SEE TABLE		11.05.17.8428.0.E	
SIZE	SCALF	UNIT	REV
A4	NTS	mm.	A