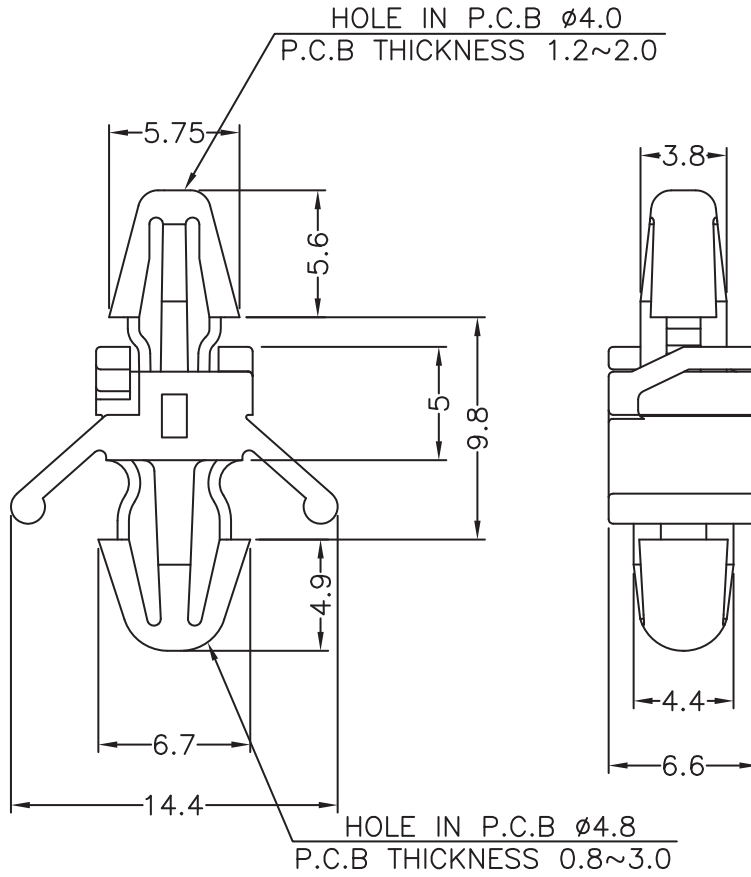



DIM.	TOL.
5mm DOWN.	±0.2
5~20mm	±0.3
20~40mm	±0.4
40~60mm	±0.5
60~100mm	±0.8
100mm UP.	±1.0

REVISIONS			
REV	DESCRIPTION	DATE	BY



		TITLE P.C.B. LOCKING SPACER	
		MATERIAL PA66 V2 UL 94	DATE 17/05/2011
PART NUMBER 8427AA00		FINISH	DRAWN J.D.
DRAWING NUMBER 11.05.17.8427.0.E		COLOR NATURAL	CHECK
SIZE A4	SCALE 3:1	UNIT mm.	REV A
UNLESS OTHERWISE SPECIFIED TOLERANCE SEE ABOVE		APPROVED	