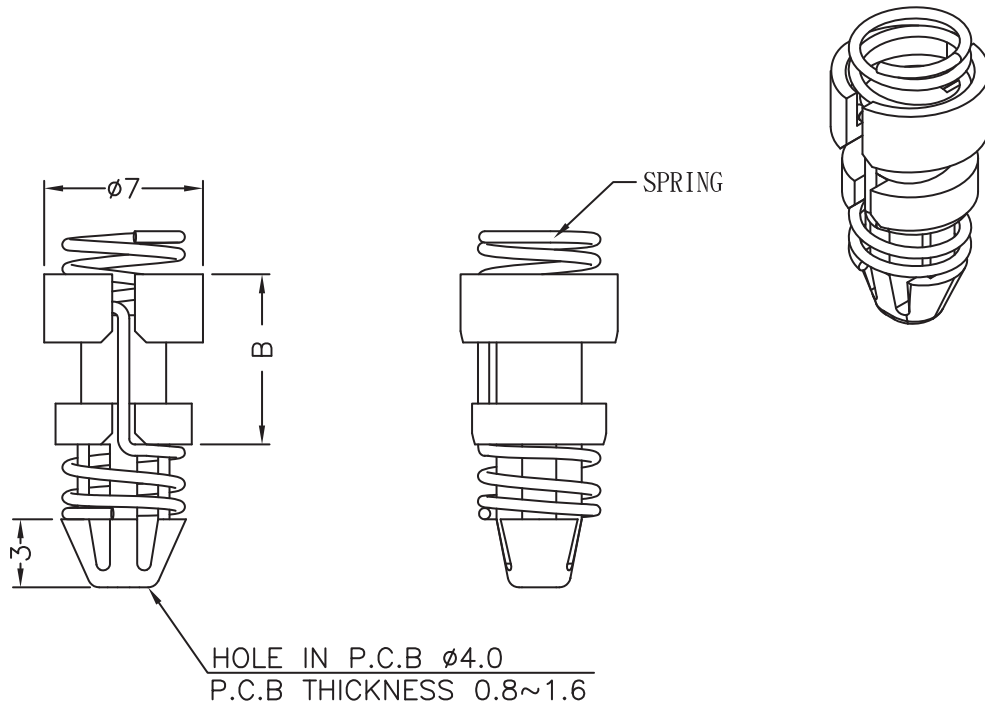
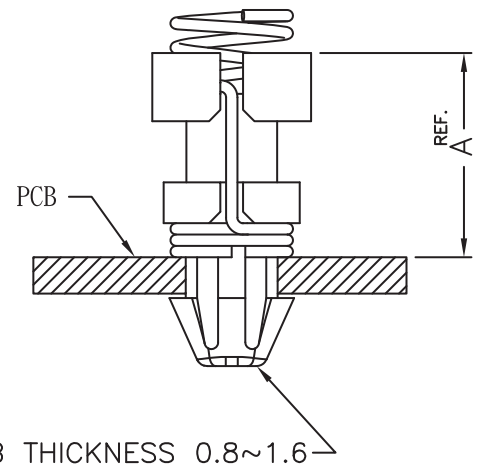


DIM.	TOL.
L≤10	±0.2
10<L≤30	±0.3
30<L≤50	±0.5
50<L≤100	±0.7
00<L≤250	±1.2
ABOVE 250	±1.5

REVISIONS			
REV	DESCRIPTION	DATE	BY



PART NO.	A	B
8323AA00	8.0	6.5
8324AA00	9.0	7.5
8325AA00	10.0	8.5
8326AA00	12.0	10.5
8327AA00	14.0	12.5
8328AA00	16.0	14.5



TITLE CONDUCTIVE SPACER		MATERIAL PA66 V2 UL 94		DATE 17/05/2011	
		FINISH		DRAWN J.D.	
PART NUMBER SEE TABLE		DRAWING NUMBER 11.05.17.8323.0.E		COLOR NATURAL	
SIZE A4		SCALF NTS		UNIT mm.	
REV A		UNLESS OTHERWISE SPECIFIED TOLERANCE SEE ABOVE		CHECK APPROVED	