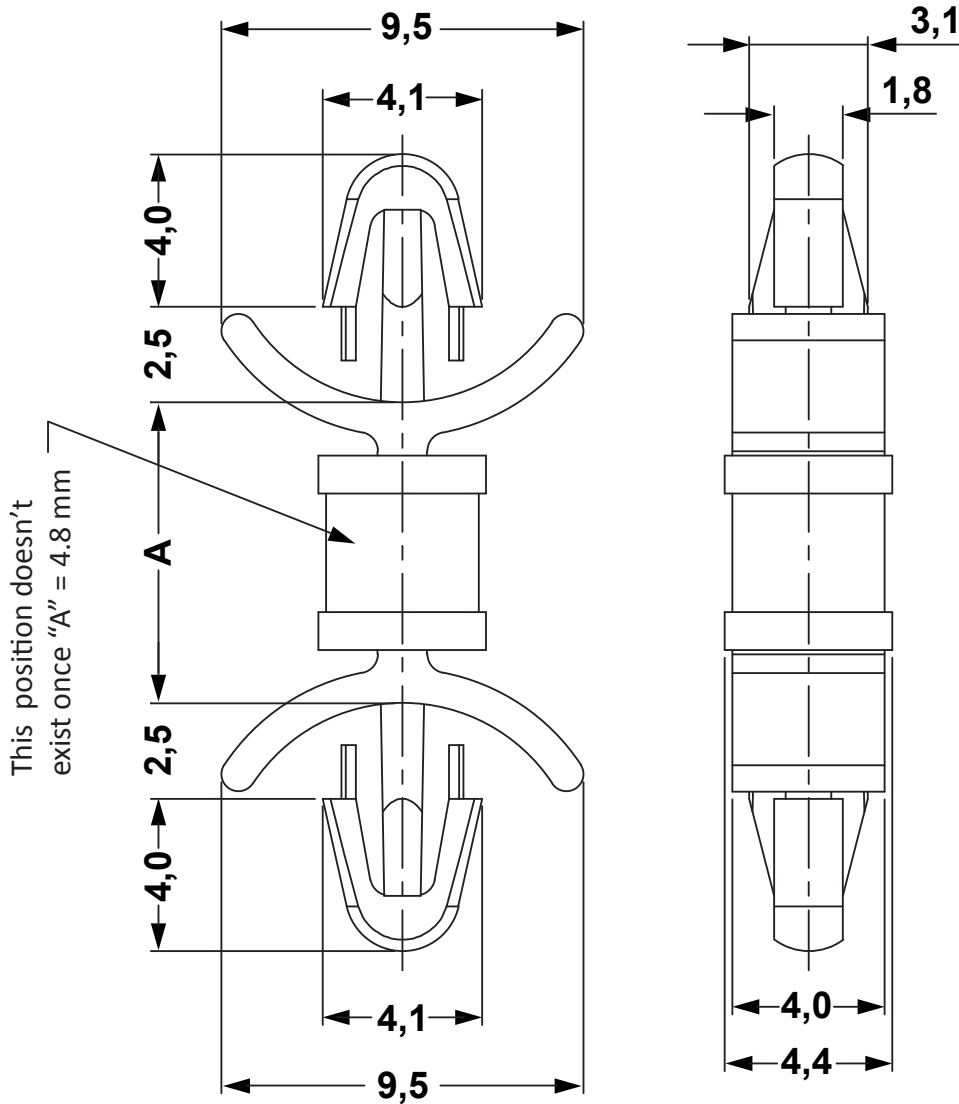


DIM.	TOL.
5mm DOWN	±0.2
5~20mm	±0.3
20~40mm	±0.4
40~60mm	±0.5
60~100mm	±0.8
100mm UP	±1.0

REVISIONS			
REV	DESCRIPTION	DATE	BY



PART. NO	"A"
8272AA00	4,8
8273AA00	6,4
8274AA00	7,9
8275AA00	9,5
8276AA00	11,1
8277AA00	12,7
8278AA00	14,3
8279AA00	15,9

NOTES:  
HOLE:  $\varnothing 3,2 \text{ mm} \pm 0,05 \text{ mm}$   
PANEL THICKNESS: 0,8 - 2,0



<b>DUAL LOCKING P.C.B. SPACERS</b>		TITLE	
		MATERIAL	DATE
		DRAWN	
PART NUMBER		COLOR	CHECK
DRAWING NUMBER		UNLESS OTHERWISE SPECIFIED TOLERANCE	
SIZE	SCALE	UNIT	REV
APPROVED		APPROVED	

SEE TABLE		16.11.25.8272.0.E	
A4	NTS	mm	A

PA 6.6 V2 (UL94)		25/11/2016	
NATURAL		R.F.	
SEE TABLE		SEE TABLE	