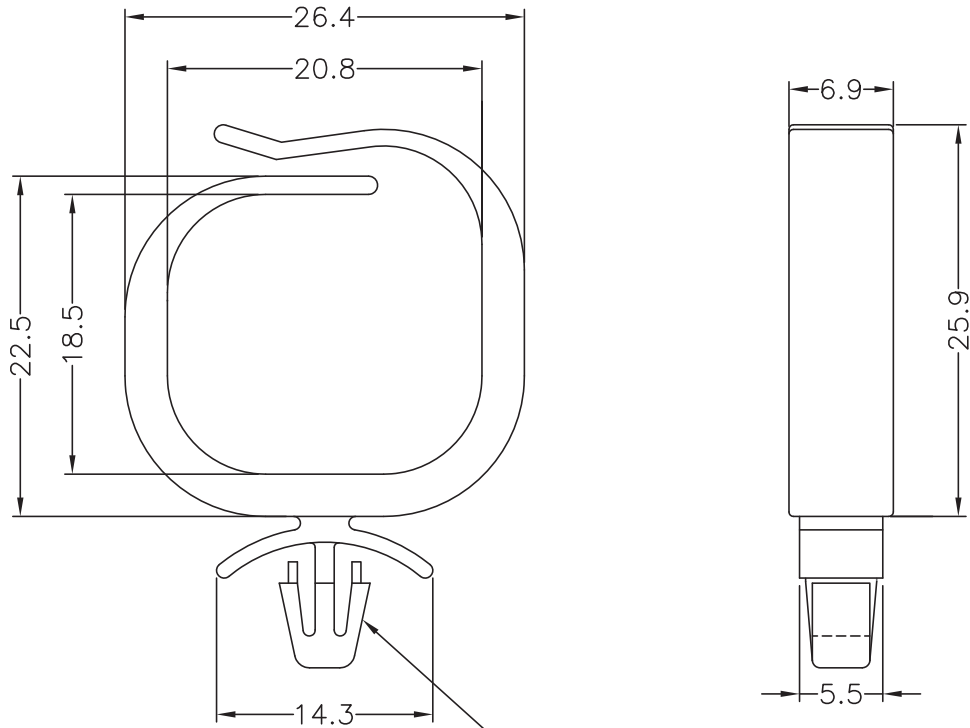


| DIM. | TOL. |
|----------|------|
| 5mm DOWN | ±0.2 |
| 5~20mm | ±0.3 |
| 20~40mm | ±0.4 |
| 40~60mm | ±0.5 |
| 60~100mm | ±0.8 |
| 100mm UP | ±1.0 |

| REVISIONS | | | |
|-----------|-------------|------|----|
| REV | DESCRIPTION | DATE | BY |
| | | | |
| | | | |



HOLE IN CHASSIS: $\phi 4.8 \sim \phi 5.0$
 CHASSIS THICKNESS: 0.8~2.0

NOTE:

1. Shrinking is normal status.
2. All measurement does not include gate which raises under 0.3 mm.

| P/N | COLOUR |
|----------|---------|
| 8235AA00 | NATURAL |
| 8235AA01 | BLACK |



| | | | | | | | |
|--------------------------|--------------|-------------------------------------|----------|---|--------------------|----------|--|
| | | | | TITLE HARNES CLIP STANDOFF | | | |
| | | | | MATERIAL NYLON 66 UL94-V-2 | DATE 15/09/2015 | | |
| | | | | DRAWN S.P. | | | |
| PART NUMBER SEE TABLE | | DRAWING NUMBER 15.09.15.8235.0.E | | COLOR SEE TABLE | | CHECK | |
| SIZE A4 | SCALE 2:1 | UNIT mm | REV A | UNLESS OTHERWISE SPECIFIED TOLERANCE SEE ABOVE | | APPROVED | |