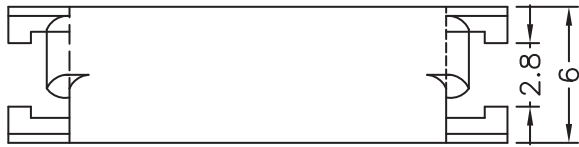
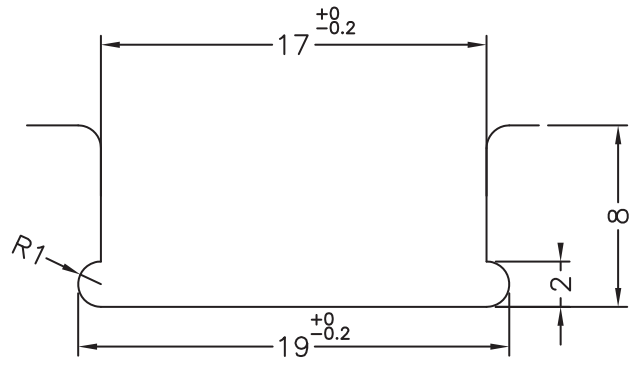
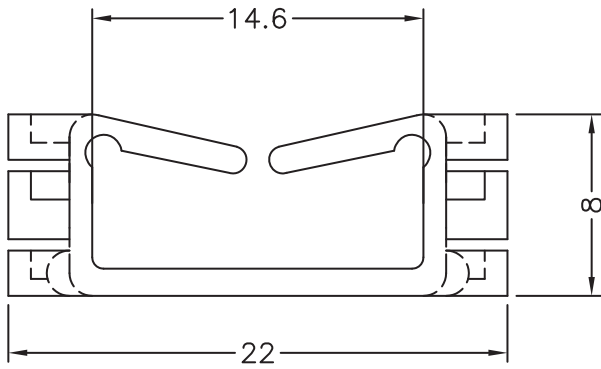


DIM.	TOL
5mm DOWN	±0.2
5~20mm	±0.3
20~40mm	±0.4
40~60mm	±0.5
60~100mm	±0.8
100mm UP	±1.0

REVISIONS			
REV	DESCRIPTION	DATE	BY



MOUNTING HOLE
CHASSIS THICKNESS: 1.2~2.8



				TITLE EDGE CABLE BUSHING			
				MATERIAL NYLON 66 UL94V-2		DATE 2/05/2016	
				DRAWN R.F.			
PART NUMBER 8197AA01		DRAWING NUMBER 16.05.02.8197.O.E		COLOR BLACK		CHECK	
SIZE A4	SCALE 3:1	UNIT mm	REV A	UNLESS OTHERWISE SPECIFIED TOLERANCE SEE ABOVE		APPROVED	