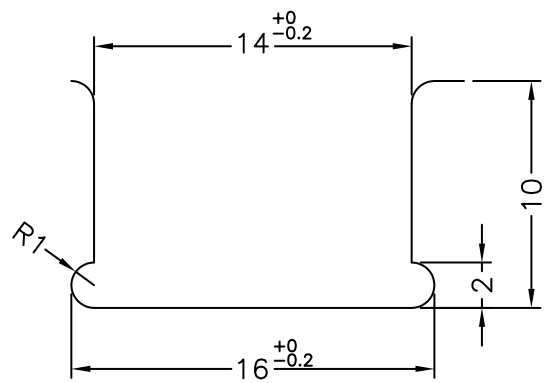
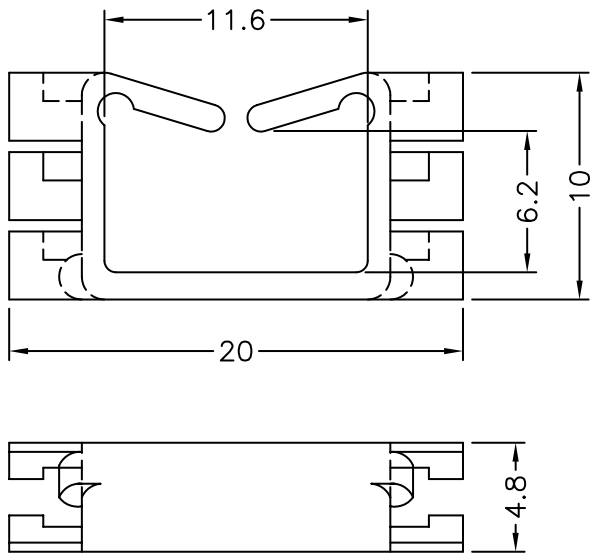


REVISIONS			
REV	DESCRIPTION	DATE	BY



MOUNTING HOLE
CHASSIS THICKNESS: 0.8~1.2



		TITLE		EDGE CABLE BUSHING	
		MATERIAL		DATE	
		NYLON 66 UL94V-2		2/05/2016	
PART NUMBER		DRAWING NUMBER		DRAWN	
8196AA01		16.05.02.8196.O.E		R.F.	
SIZE		UNIT		CHECK	
A4		mm			
SCALE		REV		UNLESS OTHERWISE SPECIFIED TOLERANCE	
2:1		B		APPROVED	
				± 0.2	