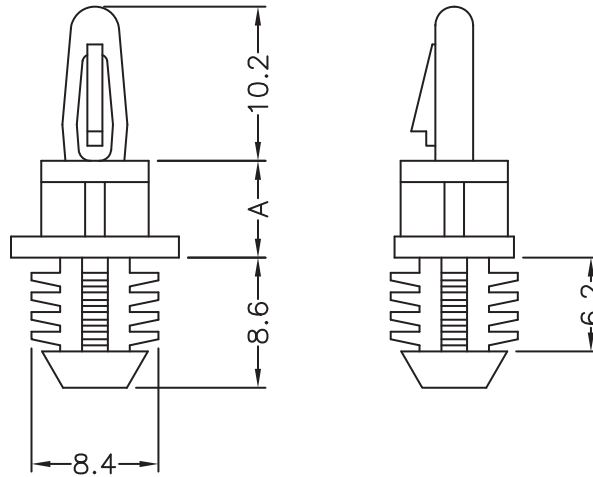


DIM.	TOL.
5mm DOWN.	±0.2
5~20mm	±0.3
20~40mm	±0.4
40~60mm	±0.5
60~100mm	±0.8
100mm UP.	±1.0

REVISIONS			
REV	DESCRIPTION	DATE	BY

HOLE IN P.C.B $\phi 4.0$
P.C.B THICKNESS 1.6



HOLE IN PANEL $\phi 7.9$
THICKNESS 6.4^{MIN.}

NOTE: All measurement does not include gate which raises under 0.3mm.

PART NO.	A
8170 AA00	4.8
8171 AA00	6.4
8172 AA00	9.5
8173 AA00	11.1
8174 AA00	12.7
8175 AA00	15.9
8176 AA00	19.1
8177 AA00	22.2
8178 AA00	25.4



TITLE
BLIND HOLE PCB SPACER

MATERIAL PA 66 V2 UL 94 DATE 19/07/2013

FINISH DRAWN J.D.

PART NUMBER SEE TABLE DRAWING NUMBER 13.07.19.8170.0.E

COLOR NATURAL CHECK

SIZE A4 SCALF NTS UNIT mm. REV A

UNLESS OTHERWISE SPECIFIED TOLERANCE SEE ABOVE APPROVED