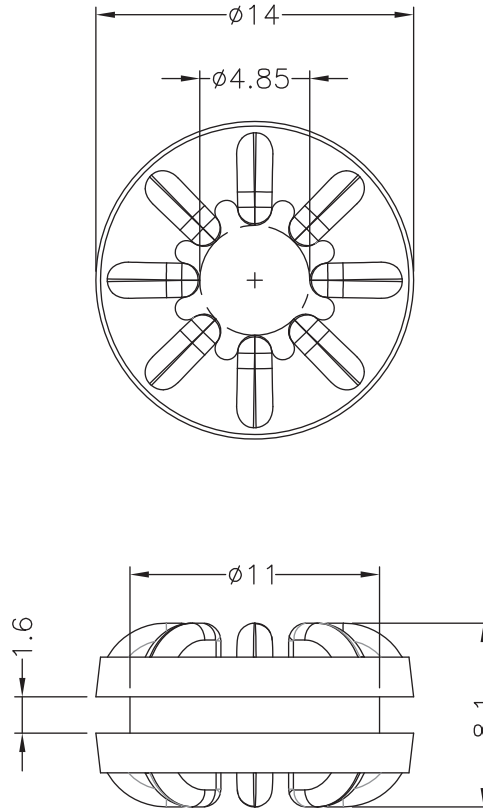


DIM.	TOL.
5mm DOWN	±0.2
5~20mm	±0.3
20~40mm	±0.4
40~60mm	±0.5
60~100mm	±0.8
100mm UP	±1.0

REVISIONS			
REV	DESCRIPTION	DATE	BY



fastpoint		TITLE		ANTI-VIBRATE GROMMET	
		MATERIAL	TPE	DATE	15/09/2015
		HARDNESS	45°C ± 10°C	DRAWN	S.P.
		COLOR	BLACK	CHECK	
PART NUMBER	8045PF01	DRAWING NUMBER	15.09.15.8045.0.E	UNLESS OTHERWISE SPECIFIED TOLERANCE	APPROVED
SIZE	A4	SCALE	3:1	UNIT	mm
REV	A	SEE ABOVE			