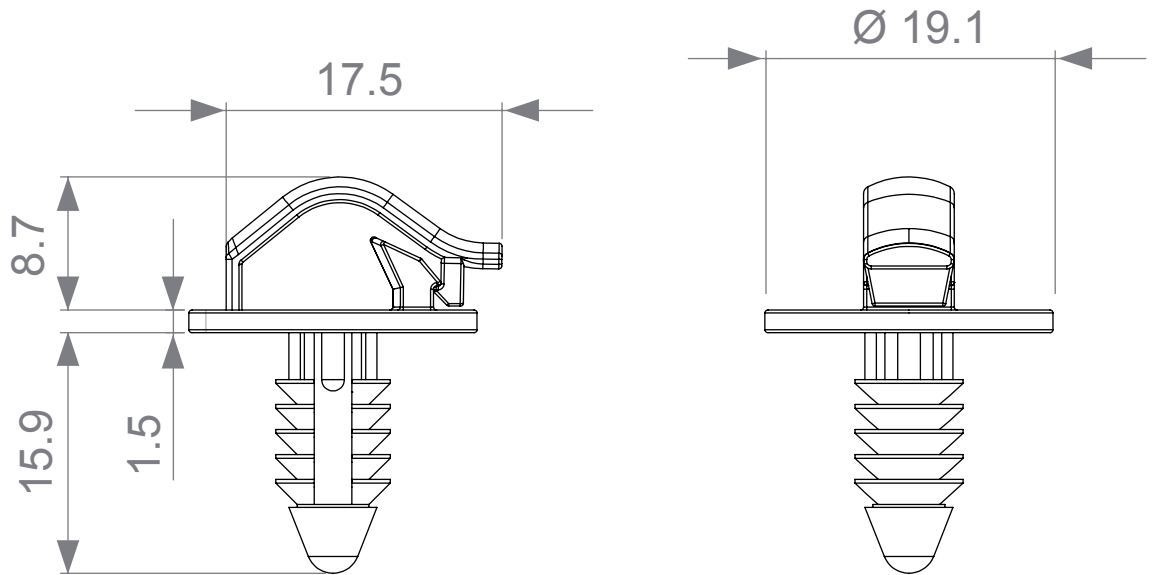



DIM.	TOL
5mm DOWN	±0.2
5~20mm	±0.3
20~40mm	±0.4
40~60mm	±0.5
60~100mm	±0.8
100mm UP	±1.0

REVISIONS			
REV	DESCRIPTION	DATE	BY



PANEL HOLE: Ø 6,4
THICKNESS: 2,7 - 7,3

				TITLE WIRE CLIP WITH CLOSURE SYSTEM	
				MATERIAL PA66 V2 UL94	DATE 17/06/2015
PART NUMBER 7149AA01				DRAWING NUMBER 11.05.17.7149.0.E	
				COLOR BLACK	
SIZE A4	SCALE NTS	UNIT mm.	REV C	UNLESS OTHERWISE SPECIFIED TOLERANCE	
				APPROVED	