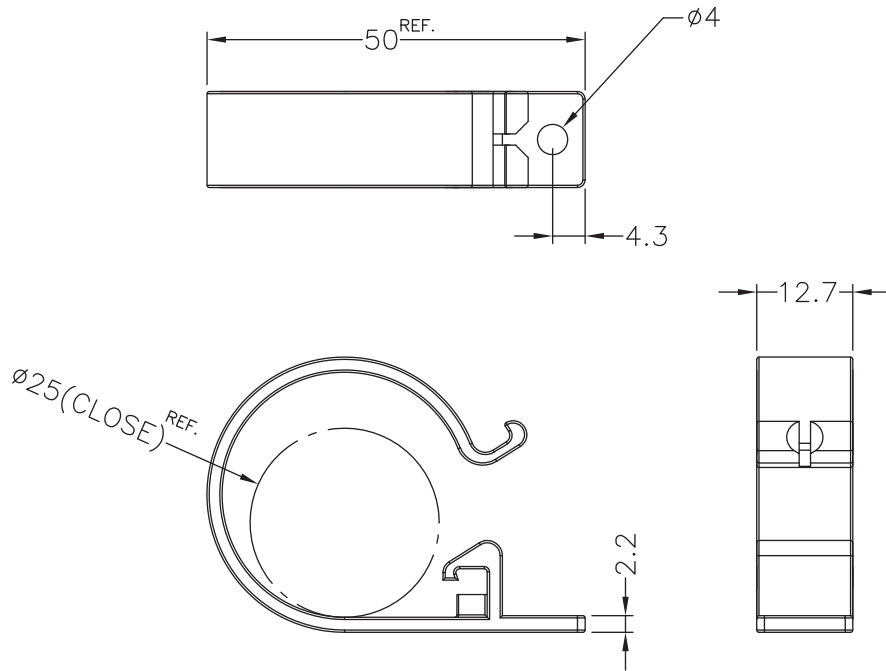



DIM.	TOL
5mm DOWN	±0.2
5~20mm	±0.3
20~40mm	±0.4
40~60mm	±0.5
60~100mm	±0.8
100mm UP	±1.0

REVISIONS			
REV	DESCRIPTION	DATE	BY



				TITLE SELF ADHESIVE TWIST LOCK	
				MATERIAL PA 66 V2 (UL94)	DATE 17/06/2015
PART NUMBER 6893AA00				DRAWN D.C.	
				DRAWING NUMBER 11.05.17.6893.0.E	
SIZE A4				CHECK	
				APPROVED	
SCALE 1:1		UNIT mm.		REV C	
COLOR NATURAL				UNLESS OTHERWISE SPECIFIED TOLERANCE	