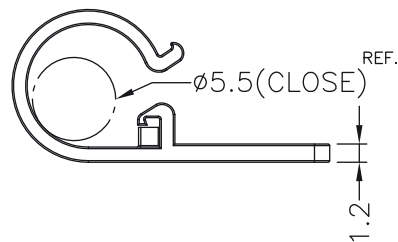
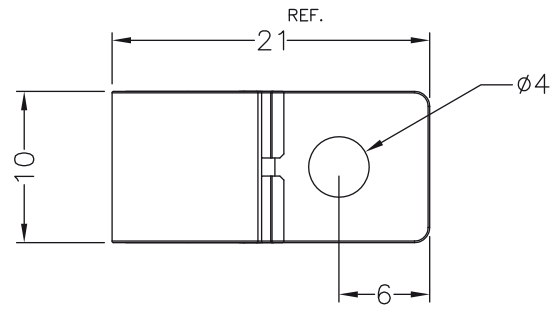


DIM.	TOL
5mm DOWN	±0.2
5~20mm	±0.3
20~40mm	±0.4
40~60mm	±0.5
60~100mm	±0.8
100mm UP	±1.0

REVISIONS			
REV	DESCRIPTION	DATE	BY



NOTE:1. All measurement does not include gate which raises under 0.3mm.
2. It is normal if it is shrinking.



TITLE RELEASABLE WIRE CLIP SCREW FIXING		MATERIAL PA 66 V2 UL 94		DATE 17/05/2011	
		FINISH		DRAWN D.C.	
PART NUMBER 6890AA00		DRAWING NUMBER 11.05.17.6890.0.E		COLOR NATURAL	
SIZE A4		SCALE 2:1		UNLESS OTHERWISE SPECIFIED TOLERANCE SEE ABOVE	
UNIT mm.		REV C		CHECK	
				APPROVED	