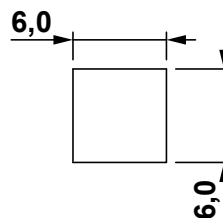
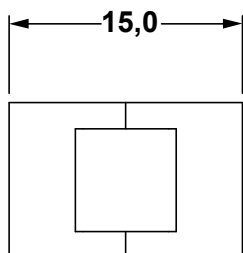
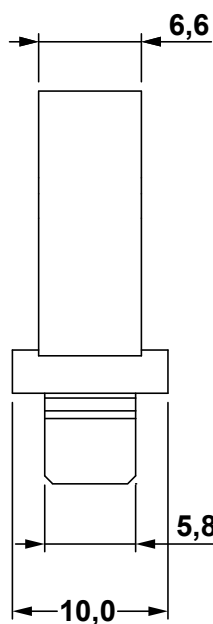
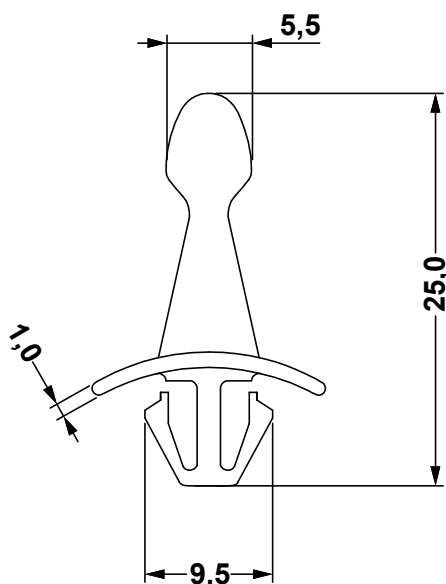


DIM.	TOL.
5mm DOWN	±0.2
5~20mm	±0.3
20~40mm	±0.4
40~60mm	±0.5
60~100mm	±0.8
100mm UP	±1.0

REVISIONS			
REV	DESCRIPTION	DATE	BY



**MOUNTING HOLE
THICKNESS: 0,8 - 1,2**



				TITLE	DOOR LOCK		
				MATERIAL	PA6.6 V2(UL94)	DATE	19/07/2017
				FINISH		DRAWN	R.F.
				COLOR	BLACK	CHECK	
PART NUMBER	DRAWING NUMBER						
6600AA01	17.07.19.6600.0.E						
SIZE	SCALE	UNIT	REV	UNLESS OTHERWISE SPECIFIED TOLERANCE		APPROVED	
A4	NTS	mm	A	SEE ABOVE			