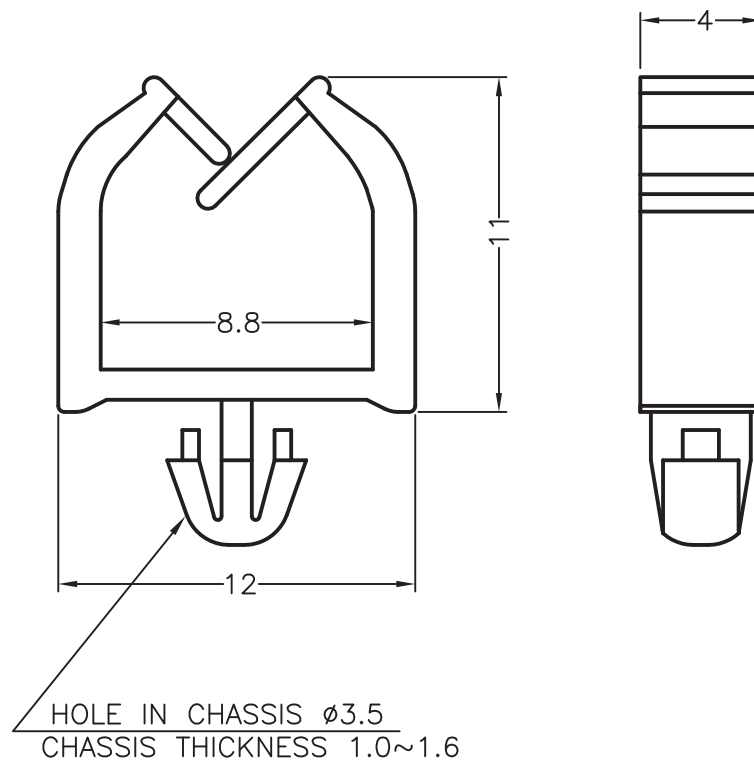



| DIM. | TOL. |
|-----------|------|
| 5mm DOWN. | ±0.2 |
| 5~20mm | ±0.3 |
| 20~40mm | ±0.4 |
| 40~60mm | ±0.5 |
| 60~100mm | ±0.8 |
| 100mm UP. | ±1.0 |

| REVISIONS | | | |
|-----------|-------------|------|----|
| REV | DESCRIPTION | DATE | BY |
| | | | |
| | | | |



- NOTE: 1. Shrinking is normal status.
2. All measurement does not include gate which raises under 0.3mm.

| | | | | | | | |
|---|-------|-------------------|-----|--------------------------------------|---------------|-------|------------|
|  | | | | TITLE | WIRE CLIP | | |
| | | | | MATERIAL | PA66 V2 UL 94 | DATE | 17/05/2011 |
| | | | | FINISH | | DRAWN | J.D. |
| PART NUMBER | | DRAWING NUMBER | | COLOR | NATURAL | | |
| 6584AA00 | | 11.05.17.6584.0.E | | UNLESS OTHERWISE SPECIFIED TOLERANCE | SEE ABOVE | | |
| SIZE | SCALE | UNIT | REV | APPROVED | | | |
| A4 | 4:1 | mm. | A | | | | |