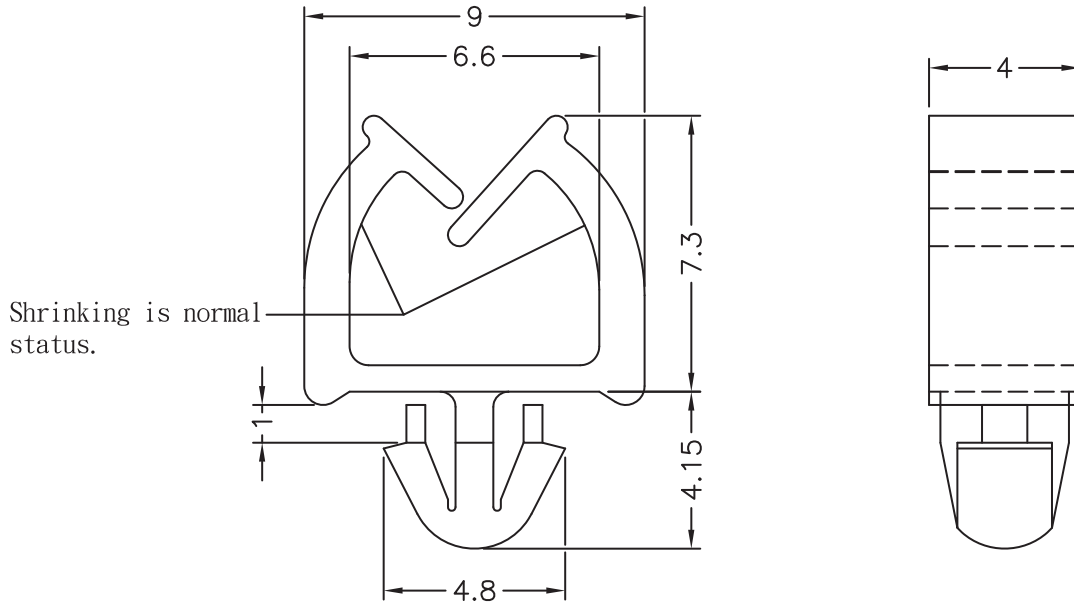



DIM.	TOL.
5mm DOWN.	±0.2
5~20mm	±0.3
20~40mm	±0.4
40~60mm	±0.5
60~100mm	±0.8
100mm UP.	±1.0

REVISIONS			
REV	DESCRIPTION	DATE	BY



NOTE: All measurement does not include gate which raises under 0.3mm.

		TITLE	WIRE CLIP	
		MATERIAL	PA66 V2 UL 94	DATE 17/05/2011
PART NUMBER 6583AA00		DRAWING NUMBER 11.05.17.6583.0.E	FINISH	DRAWN J.D.
SIZE A4	SCALF 5:1	UNIT mm.	REV A	COLOR NATURAL
UNLESS OTHERWISE SPECIFIED TOLERANCE			SEE ABOVE	CHECK APPROVED